

**HENNLICH ENGINEERING is the leading manufacturer of telescopic loading spouts – we have been producing them since 1996.**

We create customized solutions for your bulk solid loading needs.

**Our bulk loading spouts eliminate dust, eradicate material losses and increase safety when working with bulk solids.**

## BENEFITS

control of dust pollution  
 avoidance of penalties imposed by authorities for dust  
 increased safety & cleaner environment  
 unit assembly construction  
 easy maintenance & simple operation  
 long durability  
 three cable lifting system  
 complete range and flow rates

**The loading spout is designed with the following parameters:**

- product handled
- product physical properties (abrasive, corrosive, explosive, hygroscopic etc.)
- volume of loading capacity
- particle size
- bulk density
- construction dimensions (retracted and extended length)
- temperature (ambient, product)

Chapter	Type	Line	Type of loading
1.1.1.	NZU300E	Ekonomik	tanker trucks and closed railcars
1.1.2.	NZU300VR	Ekonomik	tanker trucks and closed railcars
1.1.3.	NZUF300E	Ekonomik	tanker trucks and closed railcars
1.2.1.	NZU300S	Standard	tanker trucks and closed railcars
1.2.2.	NZU300R	Standard	tanker trucks and closed railcars
1.3.			tanker positioner
1.3.1			hopper positioner
2.1.1.	NZO300E	Ekonomik	open trucks and railcars
2.1.2.	NZOF300E	Ekonomik	open trucks and railcars
2.1.3.	NZOF400E	Ekonomik	open trucks and railcars
2.1.4.	NZO400E	Ekonomik	open trucks and railcars
2.1.5	NZOF500E	Ekonomik	open trucks and railcars
2.2.1.	NZO400S	Standard	open trucks and railcars
2.2.2.	NZO500S	Standard	open trucks and railcars
2.2.3.	NZO1000S	Standard	open trucks and railcars
2.3.1.	NZO600H	Heavy	open trucks and railcars
2.3.2.	NZO800H	Heavy	open trucks and railcars
3.1.1.	NZO300S	Standard	stockpiles, ship loading
3.2.1.	NZO600DH	Heavy	stockpiles, ship loading
3.2.2.	NZO800DH	Heavy	stockpiles, ship loading
3.2.3.	NZO900DH	Heavy	stockpiles, ship loading
3.2.4.	NZO1000DH	Heavy	stockpiles, ship loading
4.1.1.	NZK300ER	Ekonomik	combined loading
4.1.2.	NZKF300ER	Ekonomik	combined loading
5.1.1.	NZO600SL	Heavy	ship loading



**DESCRIPTION**

telescopic loading spout for dust-free loading of dry, dusty bulk solids into tankers

**OPERATION QUALITIES**

- max. flow rate 250 m<sup>3</sup>/h
- particle size 0 - 40 mm
- inlet diameter DN300
- pipe Ø125 mm for connection to external filtration
- operating temperature -20 °C / +80 °C
- motor drive 0.55 kW
- loading conduit consisting of internal cones and double bellows

**DESIGN**

- electric winch with limit switches for highest and lowest position, emergency sensors for highest and lowest positions
- terminal box for cable connection
- level switch – rotary / vibrating / capacitance type
- bottom closing cone to prevent any spillage of dust as the loading spout is being raised

**ADDITIONAL ACCESSORIES**

- electric control box
- pendant or remote control
- vibration unit
- shut off valves (manual, electro, pneumatic)
- design for ATEX / non-standard temperature (-40 °C / +250 °C)

L <sub>min</sub> (retracted length)	L <sub>max</sub> (extracted length)	Travel (H)	Weight
<b>With rotary / capacitance switch</b>			
1200	2700	1500	137
1300	3300	2000	141
1400	3900	2500	161
1500	4500	3000	177

L <sub>min</sub> (retracted length)	L <sub>max</sub> (extracted length)	Travel (H)	Weight
<b>With vibrating switch</b>			
1280	2780	1500	139
1380	3380	2000	143
1480	3980	2500	163
1580	4580	3000	179

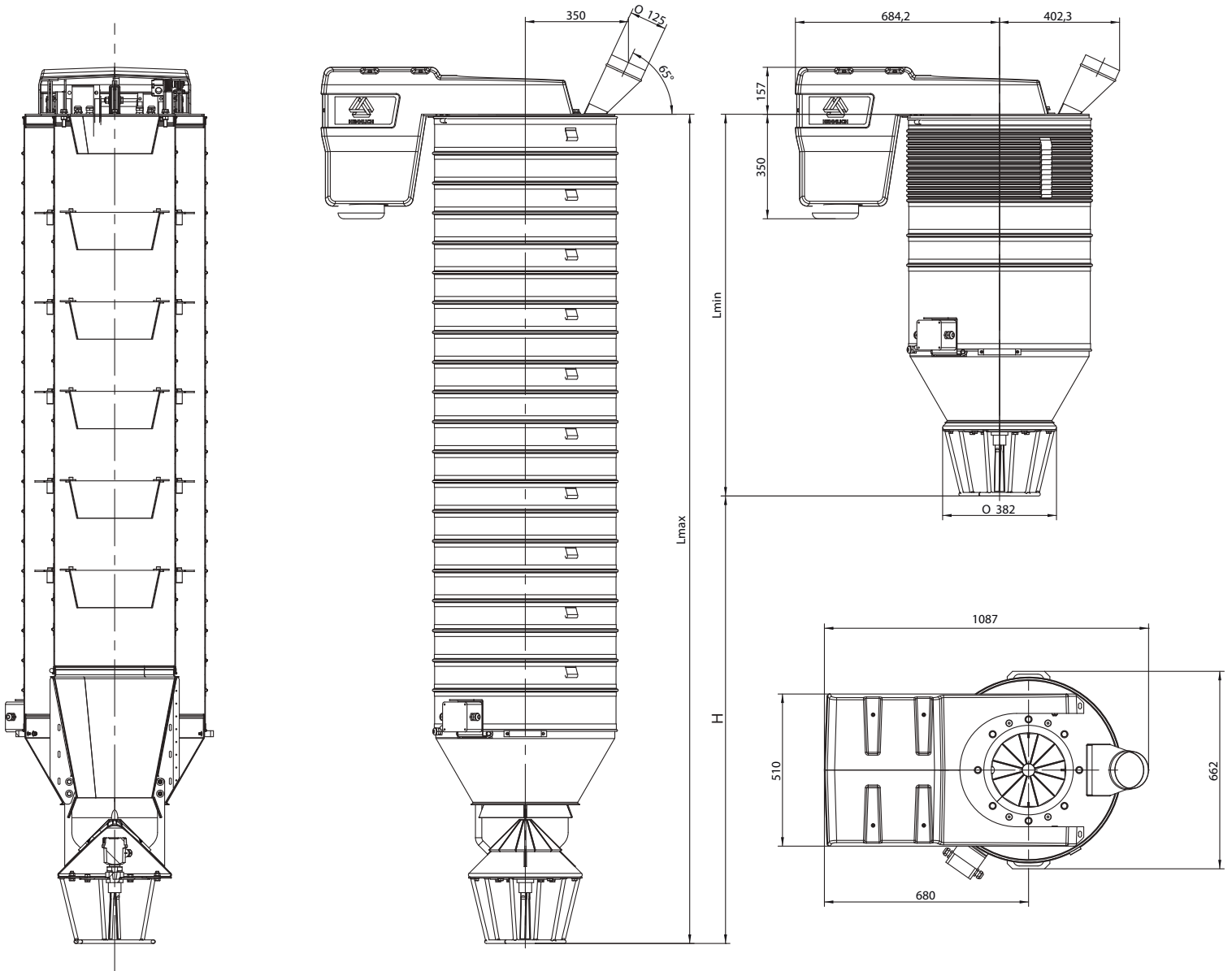


Telescopic loading spout type NZU300E with the integral closure cone and level indicator guarantees you a dustless loading of dry, dusty bulk solids into the tankers, railway vehicles or containers.

# TANKER LOADING SPOUTS

## 1.1. ECONOMIC LINE

### 1.1.1. NZU300E



### DESCRIPTION

telescopic loading spout for dust-free loading of dry, dusty bulk solids into tankers

### OPERATION QUALITIES

- max. flow rate 250 m<sup>3</sup>/h
- particle size 0 - 40 mm
- inlet diameter DN300
- pipe Ø125 mm for connection to external filtration
- operating temperature -20 °C / +80 °C
- loading conduit consisting of internal cones and outer bellows

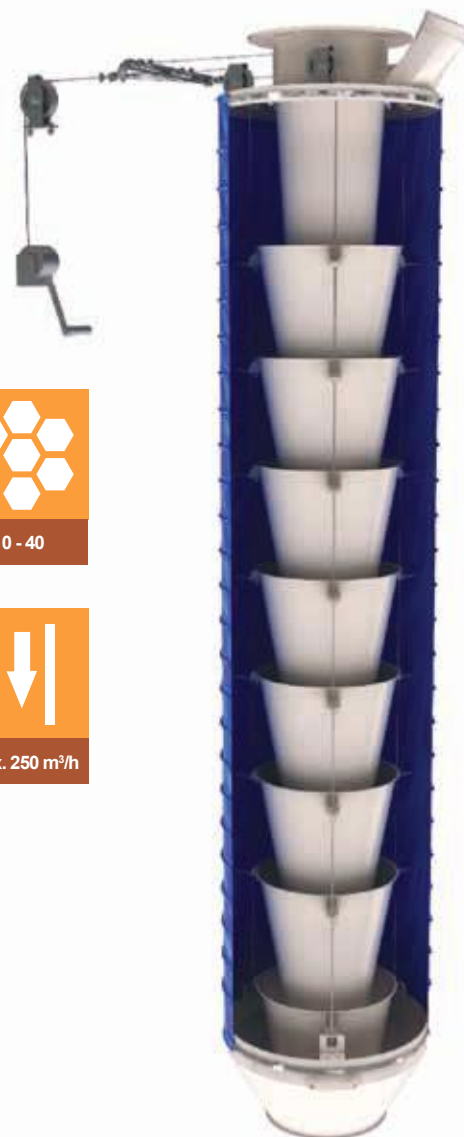
### DESIGN

- hand winch for equipment operation
- no level switch
- sealing cone for perfect tanker sealing

### ADDITIONAL ACCESSORIES

- design for ATEX / non-standard temperature (-40 °C / +250 °C)

$L_{min}$ (retracted length)	$L_{max}$ (extracted length)	Travel (H)	Weight
760	1 760	1 000	106
860	2 360	1 500	118
960	2 960	2 000	130
1 060	3 560	2 500	142

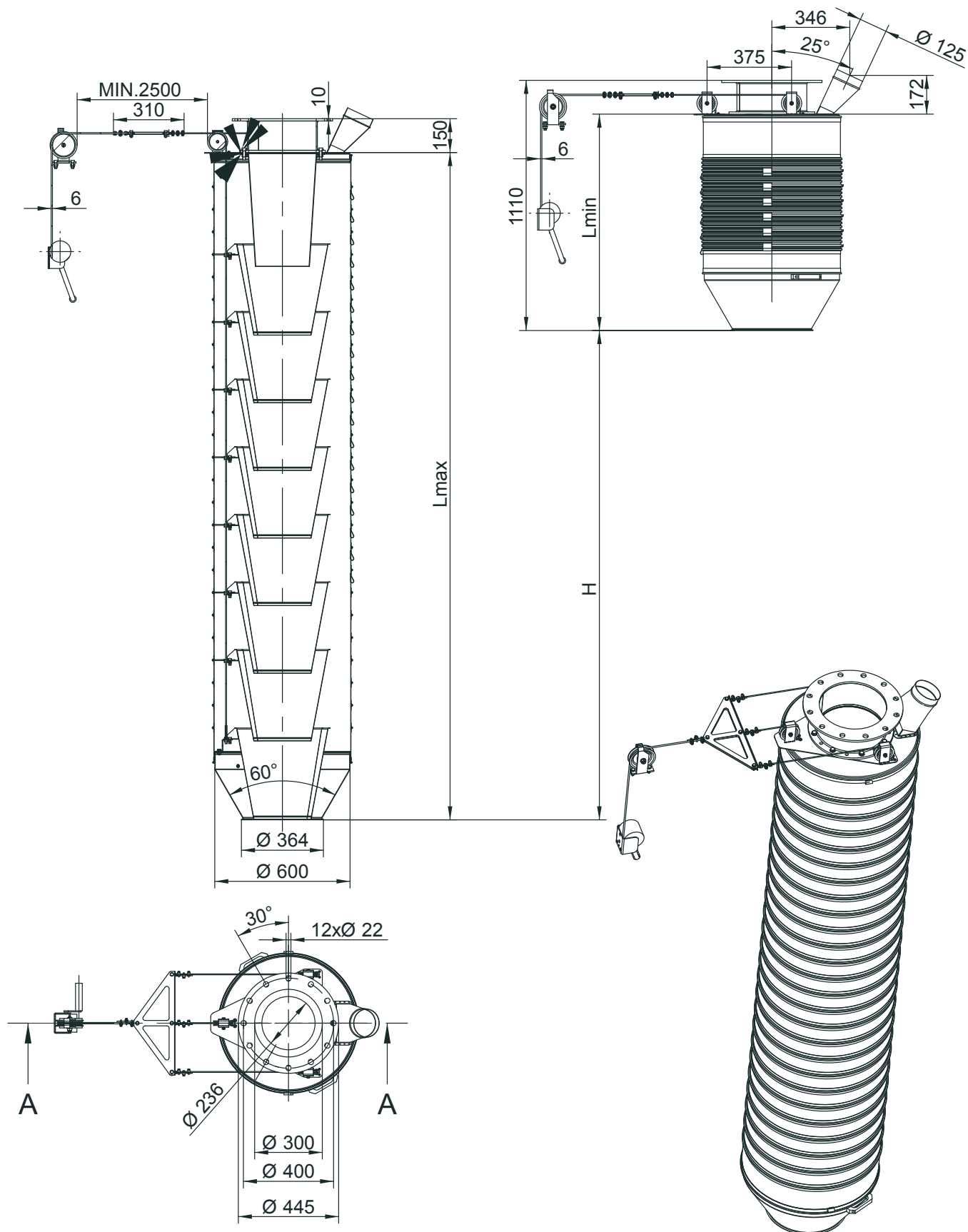


Telescopic loading spout type NZU300VR for dustless loading of dry, dusty bulk solids into the tankers, railway vehicles or containers is a simple equipment at the most competitive price.

# TANKER LOADING SPOUTS

## 1.1. ECONOMIC LINE

### 1.1.2. NZU300VR



**DESCRIPTION**

telescopic loading spout for dust-free loading of dry, dusty bulk solids into tankers with built-in filter

**OPERATION QUALITIES**

- max. flow rate 250 m<sup>3</sup>/h
- particle size 0-40 mm
- inlet diameter DN300
- operating temperature -20 °C / +80 °C
- motor drive 0.55 kW
- built-in filter: flow rate 900 m<sup>3</sup>/h, fan 1.5 kW, filter area 17.5 m<sup>2</sup>, residual concentration at the output < 10 mg/m<sup>3</sup>
- internal thread G ½"
- loading conduit consisting of internal cones and double bellows

**DESIGN**

- electric winch with limit switches for highest and lowest position, emergency sensors for highest and lowest positions
- terminal box for cable connection
- level switch – rotary / vibrating / capacitance type
- bottom closing cone to prevent any spillage of dust as the loading spout is being raised

**ADDITIONAL ACCESSORIES**

- electric control box
- pendant or remote control
- vibration unit
- shut off valves (manual, electro, pneumatic)
- design for ATEX / non-standard temperature (-40 °C / +250 °C)

L <sub>min</sub> (retracted length)	L <sub>max</sub> (extracted length)	Travel (H)	Weight
<b>With rotary / capacitance switch</b>			
1500	3000	1500	293
1500	3500	2000	305
1570	4070	2500	315

L <sub>min</sub> (retracted length)	L <sub>max</sub> (extracted length)	Travel (H)	Weight
<b>With vibrating switch</b>			
1580	3080	1500	285
1580	3380	1800	297
1580	3580	2000	308
1650	4150	2500	317
1750	4750	3000	348

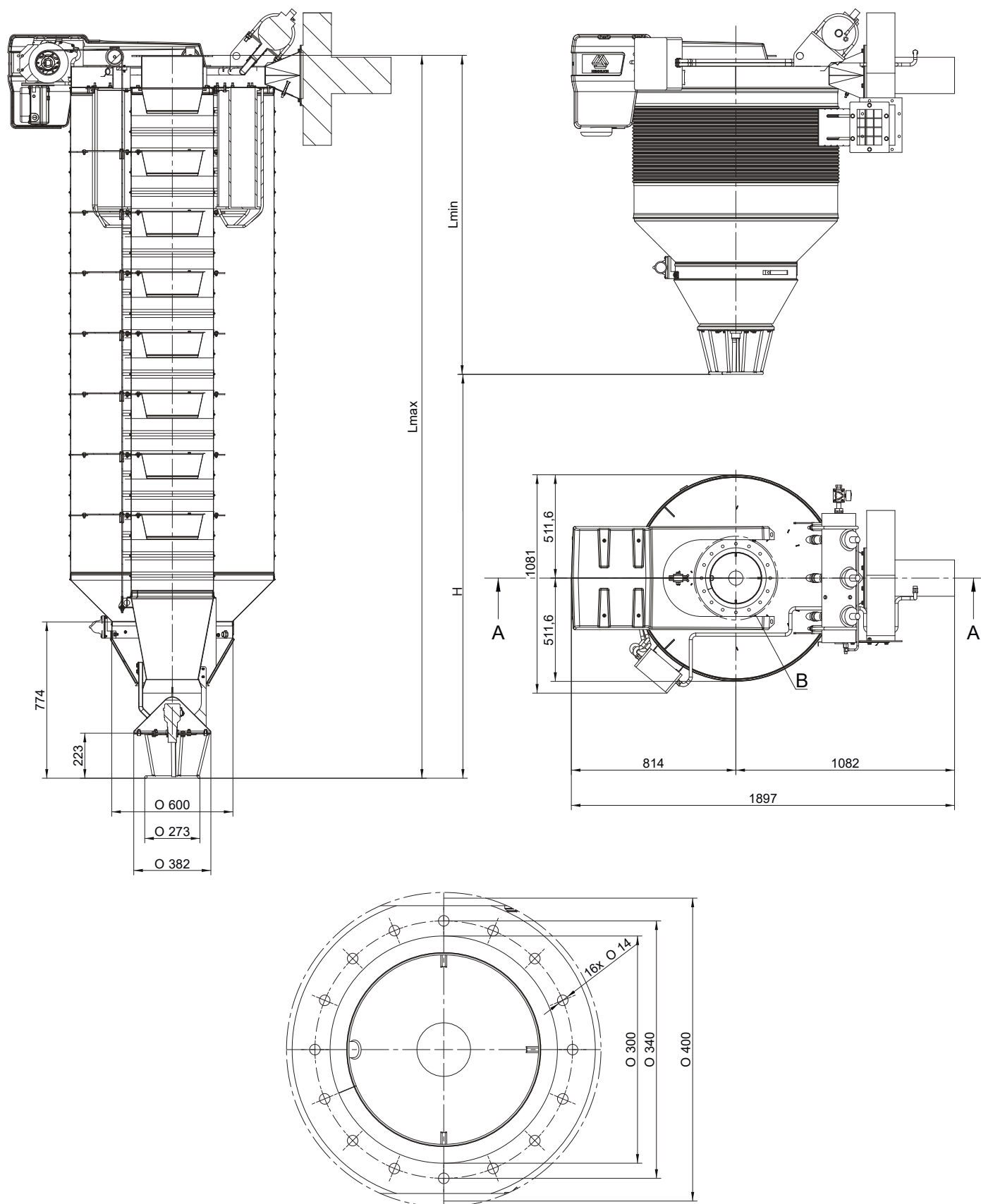


Telescopic loading spout type NZUF300E with the powerful built-in filter, integral closure cone and level indicator guarantees you a dustless loading of dry, dusty bulk solids into the tankers, railway vehicles or containers.

# TANKER LOADING SPOUTS

## 1.1. ECONOMIC LINE

### 1.1.3. NZUF300E





**DESCRIPTION**

telescopic loading spout for dust-free loading of dry, dusty bulk solids into tankers

**OPERATION QUALITIES**

- max. flow rate 300 m<sup>3</sup>/h
- particle size 0 - 40 mm
- inlet diameter DN300
- pipe Ø250 mm for connection to external filtration
- operating temperature -20 °C / +80 °C
- motor drive 0.9 kW
- loading conduit consisting of internal cones and outer bellows

**DESIGN**

- electric winch with limit switches for highest and lowest position, emergency sensors for highest and lowest positions
- terminal box for cable connection
- level switch – rotary / vibrating
- rubber-coated sealing cone for perfect tanker sealing
- bottom closing cone to prevent any spillage of dust as the loading spout is being raised
- available with the external dust collector and double bellows

**ADDITIONAL ACCESSORIES**

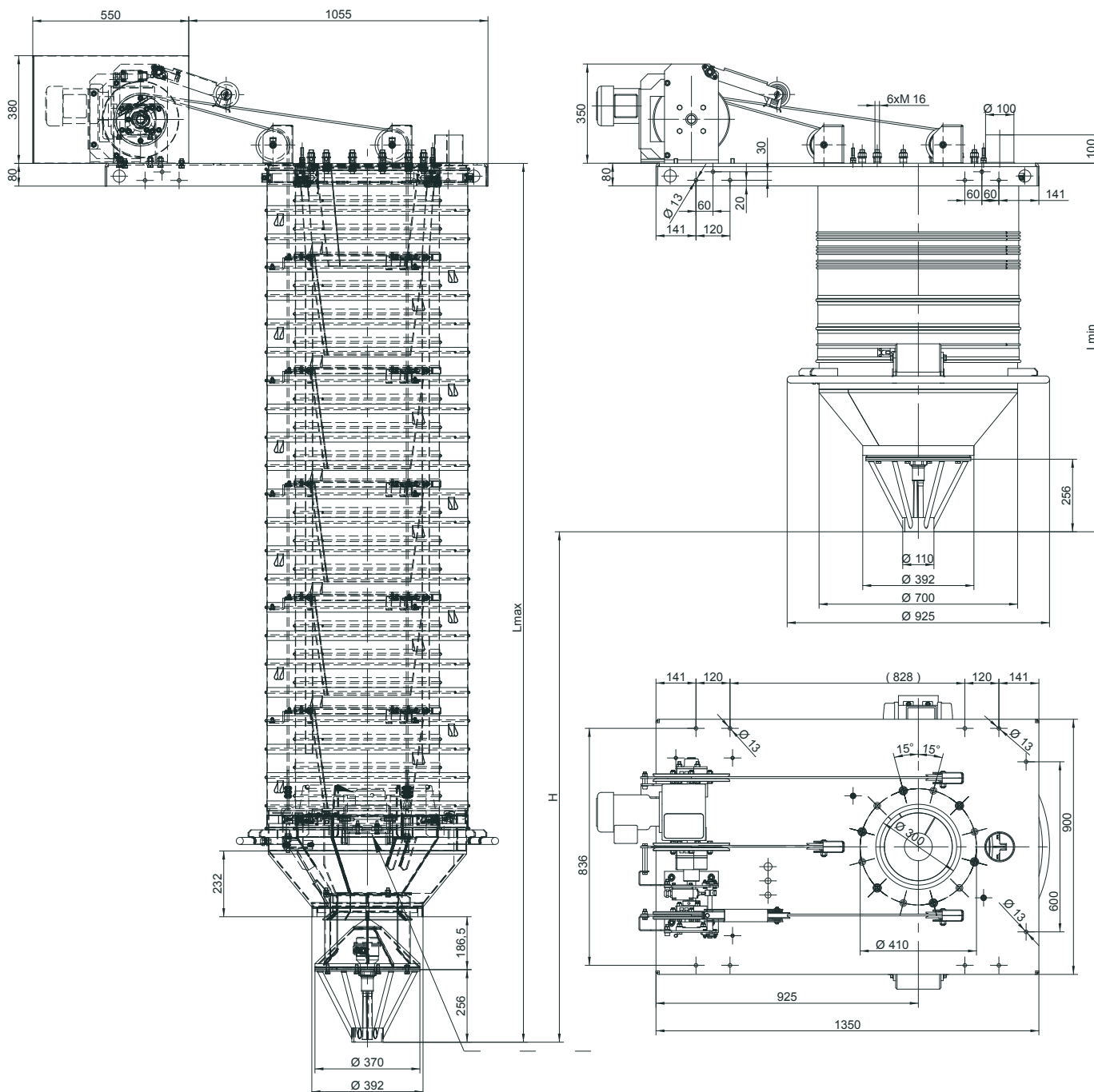
- electric control box
- pendant or remote control
- vibration unit
- shut off valves (manual, electro, pneumatic)
- design for ATEX / non-standard temperature (-40 °C / +250 °C)

L <sub>min</sub> (retracted length)	L <sub>max</sub> (extracted length)	Travel (H)	Weight
<b>With rotary switch</b>			
1 200	2 292	1 092	312
1 350	2 615	1 265	334
1 390	2 890	1 500	349
1 590	4 090	2 500	405

L <sub>min</sub> (retracted length)	L <sub>max</sub> (extracted length)	Travel (H)	Weight
<b>With vibrating switch</b>			
1 500	2 948	1 448	368
1 300	3 100	1 800	374
1 700	4 200	2 500	433



Robust-design telescopic loading spout type NZU300S with the integral closure cone and level indicator guarantees you a dustless loading of dry, dusty bulk solids into the tankers, railway vehicles or containers.



## DESCRIPTION

telescopic loading spout with spreader for efficient loading of dry, dusty bulk solids into tankers

## OPERATION QUALITIES

- max. flow rate 80 m<sup>3</sup>/h
- particle size max. 10 mm
- inlet diameter DN300
- operating temperature -20 °C / +80 °C
- gearbox motor drive 0.9 kW
- spreader motor 3 or 7.5 kW
- loading conduit consisting of outer bellows

## DESIGN

- electric winch with limit switches for highest and lowest position, emergency sensors for highest and lowest positions
- terminal box for cable connection
- level switch – rotary / capacitance type
- rubber-coated sealing cone for perfect tanker sealing
- **bottom part is equipped with powerful spreader that spreads the product into tanker**

## ADDITIONAL ACCESSORIES

- electric control box
- pendant or remote control
- vibration unit
- shut off valves (manual, electro, pneumatic)
- design for ATEX / non-standard temperature (-40 °C / +250 °C)

L <sub>min</sub> (retracted length)	L <sub>max</sub> (extracted length)	Travel (H)	Weight
1 100	2 300	1 200	472
1 628	2 938	1 310	493

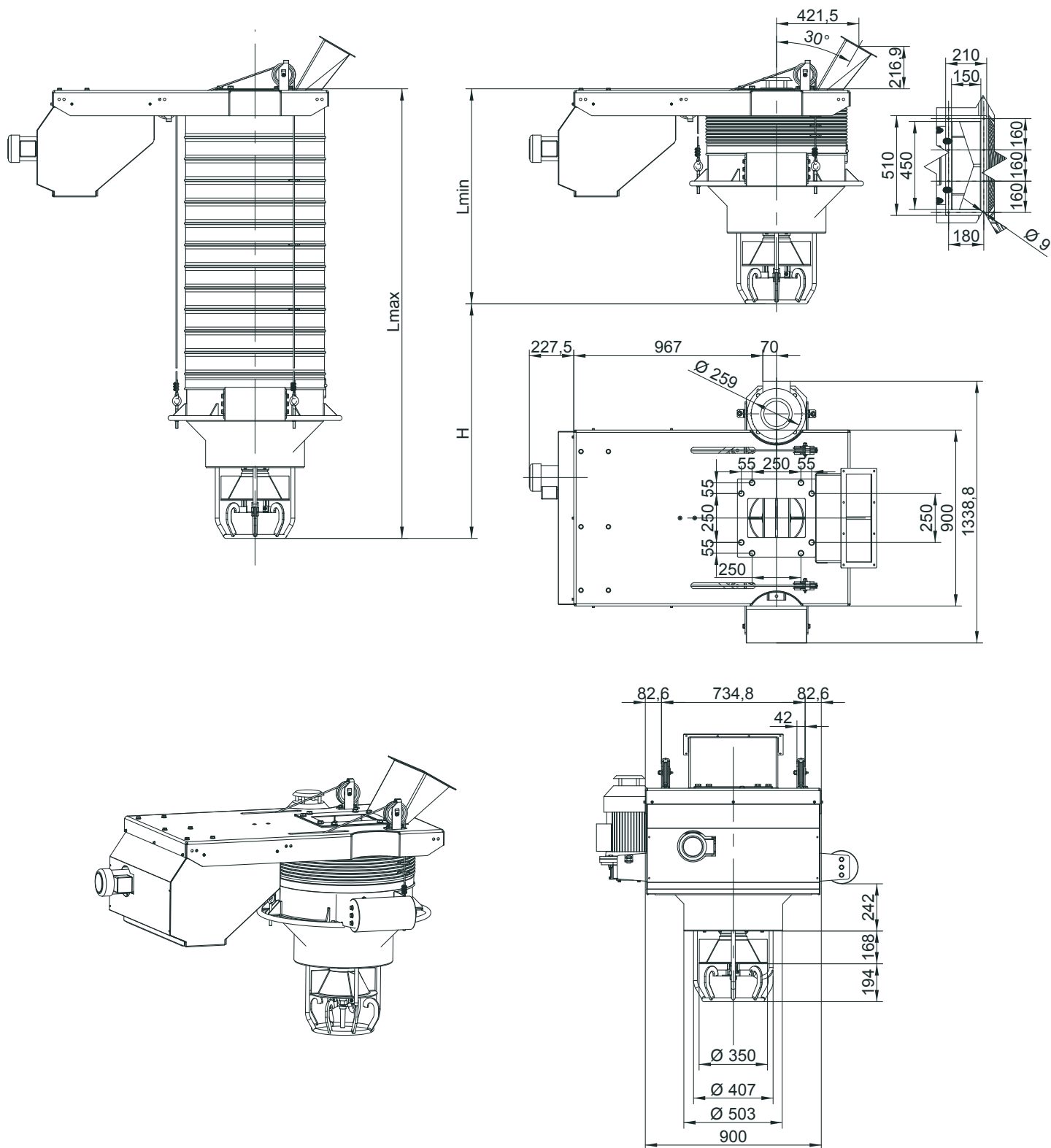


This unique telescopic loading spout type NZU300R with the powerful spreader **guarantees you to load up to 25% more** product in comparison with the gravity loading.

# TANKER LOADING SPOUTS

## 1.2. STANDARD LINE

### 1.2.2. NZU300R



**1.3. TANKER POSITIONER****DESCRIPTION**

- unique positioner for flexible positioning of the tanker loading spout above the tanker opening
- ideal when the transport vehicle is not to be moved during the loading

**OPERATION QUALITIES**

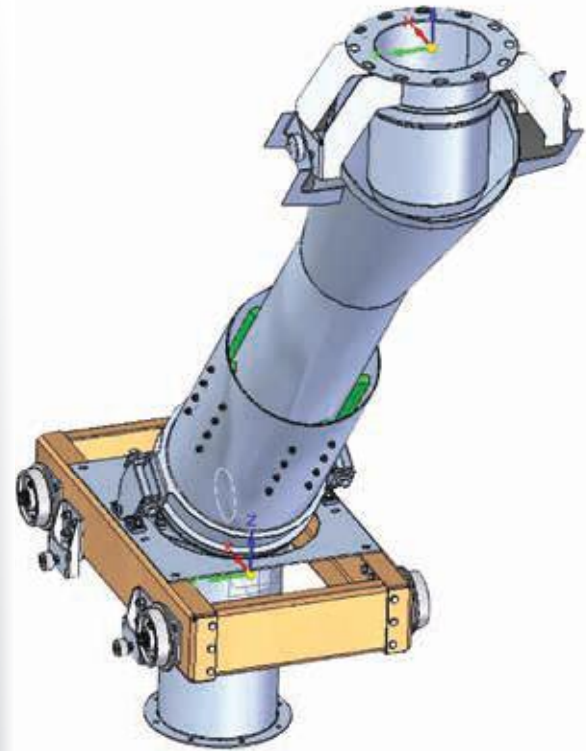
- designed only for positioning in longitudinal axis (X-axis)
- travel path 2 meters (1 meter in each direction)
- loading spout is positioned above the vehicle opening by being moved to the left or to the right

**TECHNICAL FEATURES**

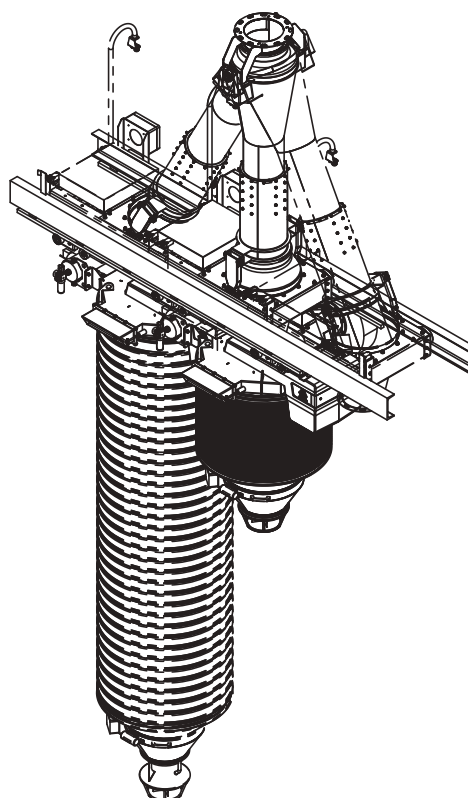
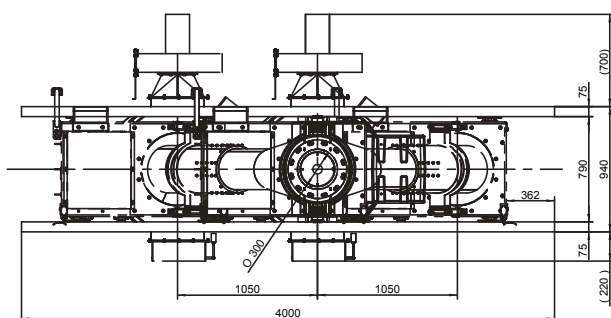
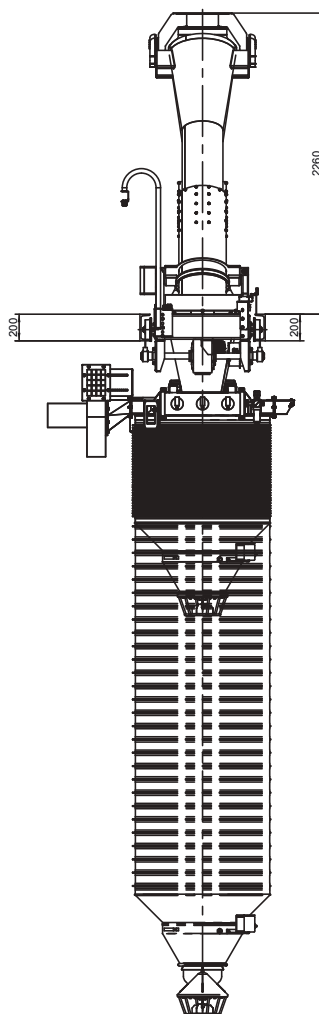
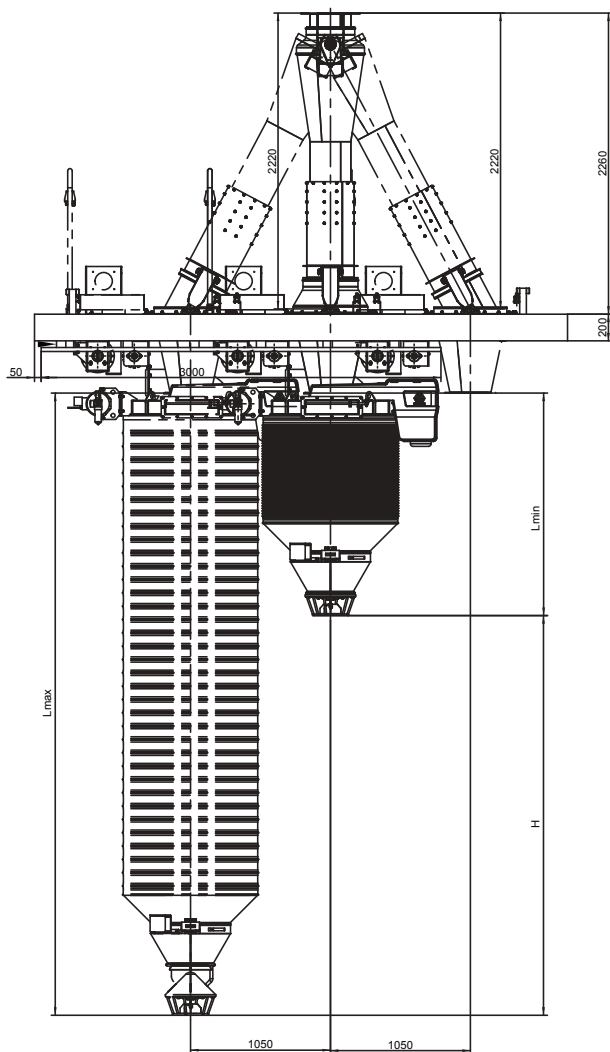
- inlet diameter DN 300
- trailer moving on 4 wheels
- mild steel as a standard design, stainless steel AISI 304/316 on request
- electric motor to drive the hopper – 1.5 kW, 3 x 400 V AC, 50 Hz (other voltage on request)
- 2 pcs of limit switches (factory preset) for the travel control
- standard operating temperature -20 / +40 °C, other temperature range on request

**BENEFITS**

- eliminates vehicle re-spotting once in the loading area
- suitable for the loading spout with and without the built-in dust collector
- factory pre-wired



## 1.3. TANKER POSITIONER



## 1.3. TANKER POSITIONER

### 1.3.1. HOPPER POSITIONER

#### DESCRIPTION

- unique positioner for flexible positioning of the tanker loading spout above the tanker opening
- ideal when the transport vehicle is not to be moved during the loading

#### OPERATION QUALITIES

- designed only for positioning in longitudinal axis (X-axis)
- travel path 2 meters (1 meter in each direction)
- loading spout is positioned above the vehicle opening by being moved to the left or to the right

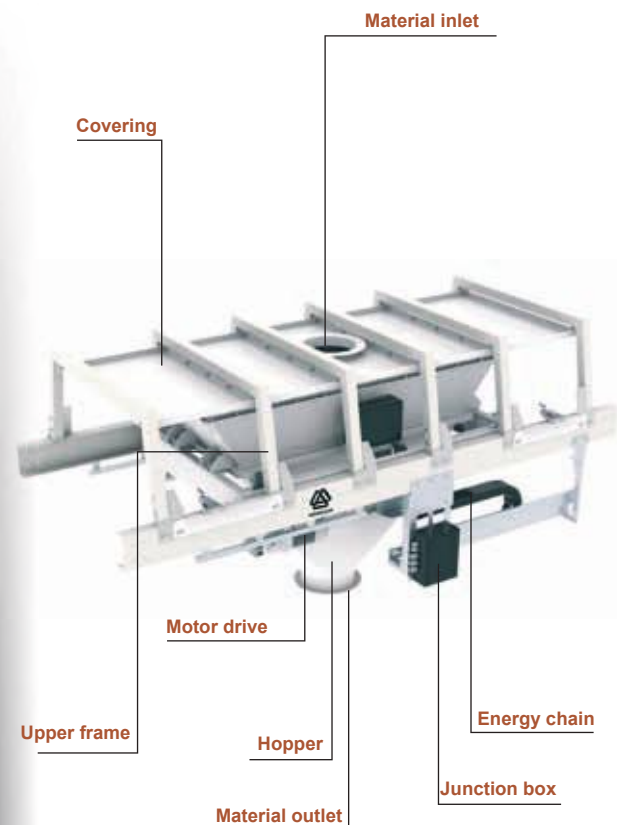
#### TECHNICAL FEATURES

- inlet diameter DN 300
- trailer moving on 4 wheels
- mild steel as a standard design, stainless steel AISI 304/316 on request
- electric motor to drive the hopper – 1.5 kW, 3 x 400 V AC, 50 Hz (other voltage on request)
- 2 pcs of limit switches (factory preset) for the travel control
- standard operating temperature -20 / +40 °C, other temperature range on request

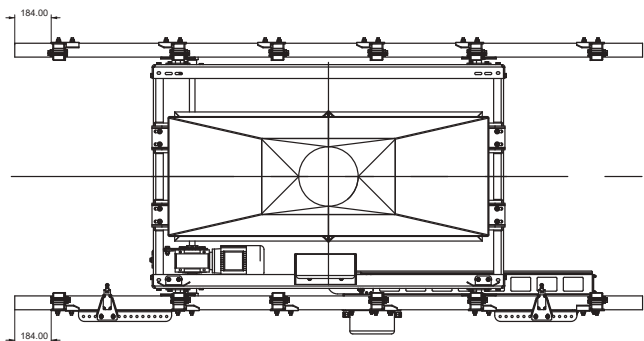
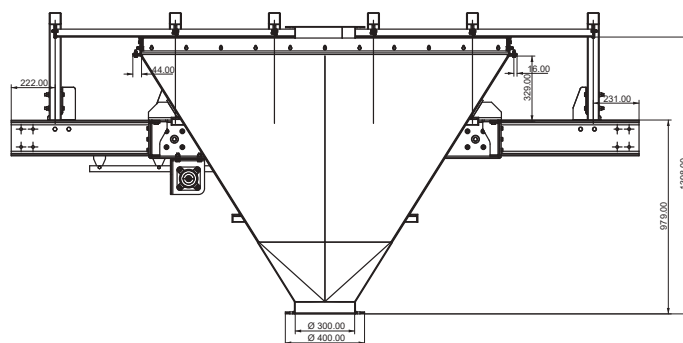
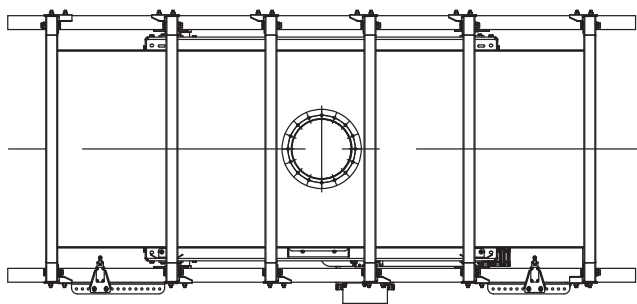
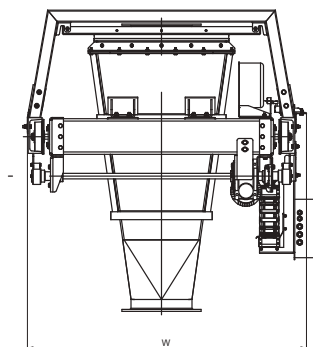
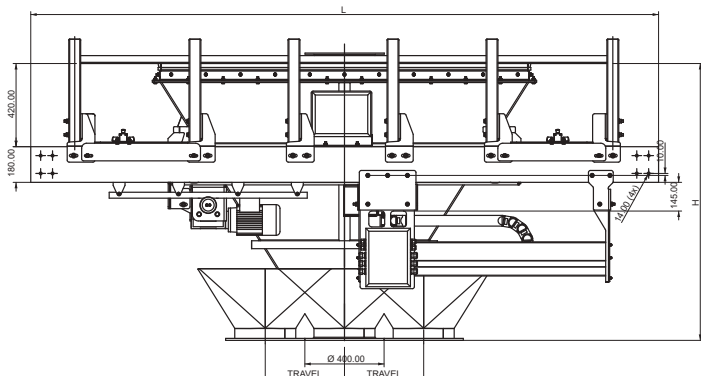
#### BENEFITS

- eliminates vehicle re-spotting once in the loading area
- suitable for the loading spout with and without the built-in dust collector
- factory pre-wired

Overall dimensions					
Hopper type	T (Travel)	L (length)	W (width)	H (high)	Weight (kg)
NZ-300/400	400 mm	3170 mm	1409 mm	1398 mm	704



## 1.3. TANKER POSITIONER 1.3.1. HOPPER POSITIONER





**DESCRIPTION**

telescopic loading spout for dust-free loading of dry, dusty bulk solids on trucks and railcars

**OPERATION QUALITIES**

- max. flow rate 250 m<sup>3</sup>/h
- particle size 0-80 mm
- inlet diameter DN300
- pipe Ø125 mm for connection to external filtration
- operating temperature -20 °C / +80 °C
- motor drive 0.55 kW
- loading conduit consisting of internal cones and outer bellows

**DESIGN**

- electric winch with limit switches for highest and lowest position, emergency sensors for highest and lowest positions
- terminal box for cable connection
- level switch – rotary / vibrating
- dustproof bell with rubber skirt at the lower end of the loading spout
- available also with manual winch

**ADDITIONAL ACCESSORIES**

- electric control box
- pendant or remote control
- vibration unit
- shut off valves (manual, electro, pneumatic)
- design for ATEX / non-standard temperature (-40 °C/+250 °C)

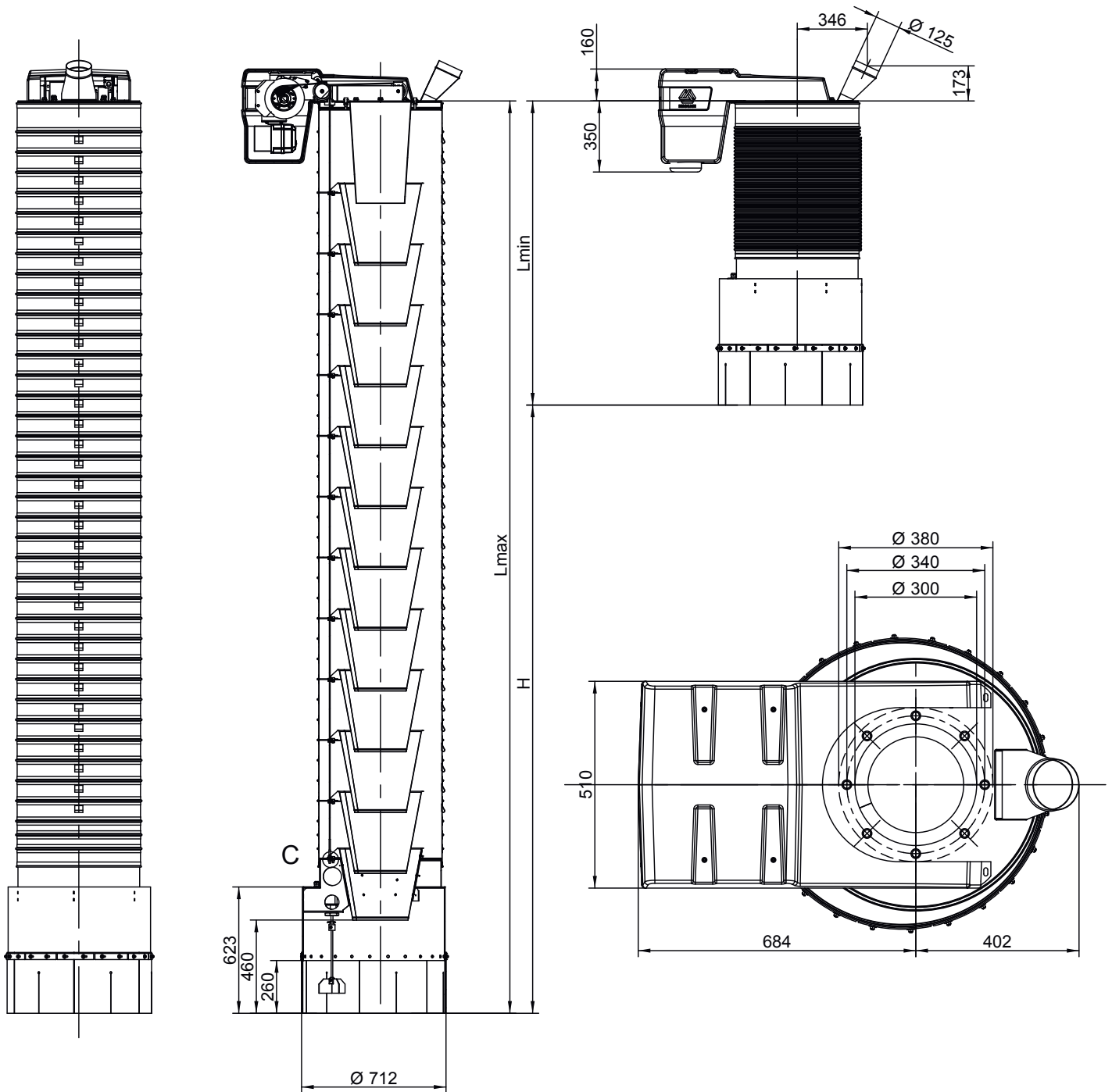
L <sub>min</sub> (retracted length)	L <sub>max</sub> (extracted length)	Travel (H)	Weight
1 300	3 300	2 000	145
1 400	3 900	2 500	156
1 500	4 500	3 000	167
1600	5100	3500	195
1 700	5 700	4 000	189
1 800	6 300	4 500	229
1 900	6 500	4 600	238
2 100	7 000	4 900	307



Telescopic loading spout type NZO300E with the dustproof bell, rubber skirt and level indicator guarantees you a dustless loading of dry, dusty bulk solids on open trucks and railway cars.

## 2.1. ECONOMIC LINE

### 2.1.1. NZO300E



**DESCRIPTION**

telescopic loading spout for dust-free loading of dry, dusty bulk solids on trucks and railcars

**OPERATION QUALITIES**

- max. flow rate 250 m<sup>3</sup>/h
- particle size 0-80 mm
- inlet diameter DN300
- operating temperature -20 °C / +80 °C
- motor drive 0.55 kW
- built-in filter: flow rate 900 m<sup>3</sup>/h, fan 1.5 kW, filter area 17.5 m<sup>2</sup>, residual concentration at the output < 10 mg/m<sup>3</sup>
- internal thread G ½"
- loading conduit consisting of internal cones and double bellows

**DESIGN**

- electric winch with limit switches for highest and lowest position, emergency sensors for highest and lowest positions
- terminal box for cable connection
- level switch – rotary / vibrating
- dustproof bell with rubber skirt at the lower end of the loading spout

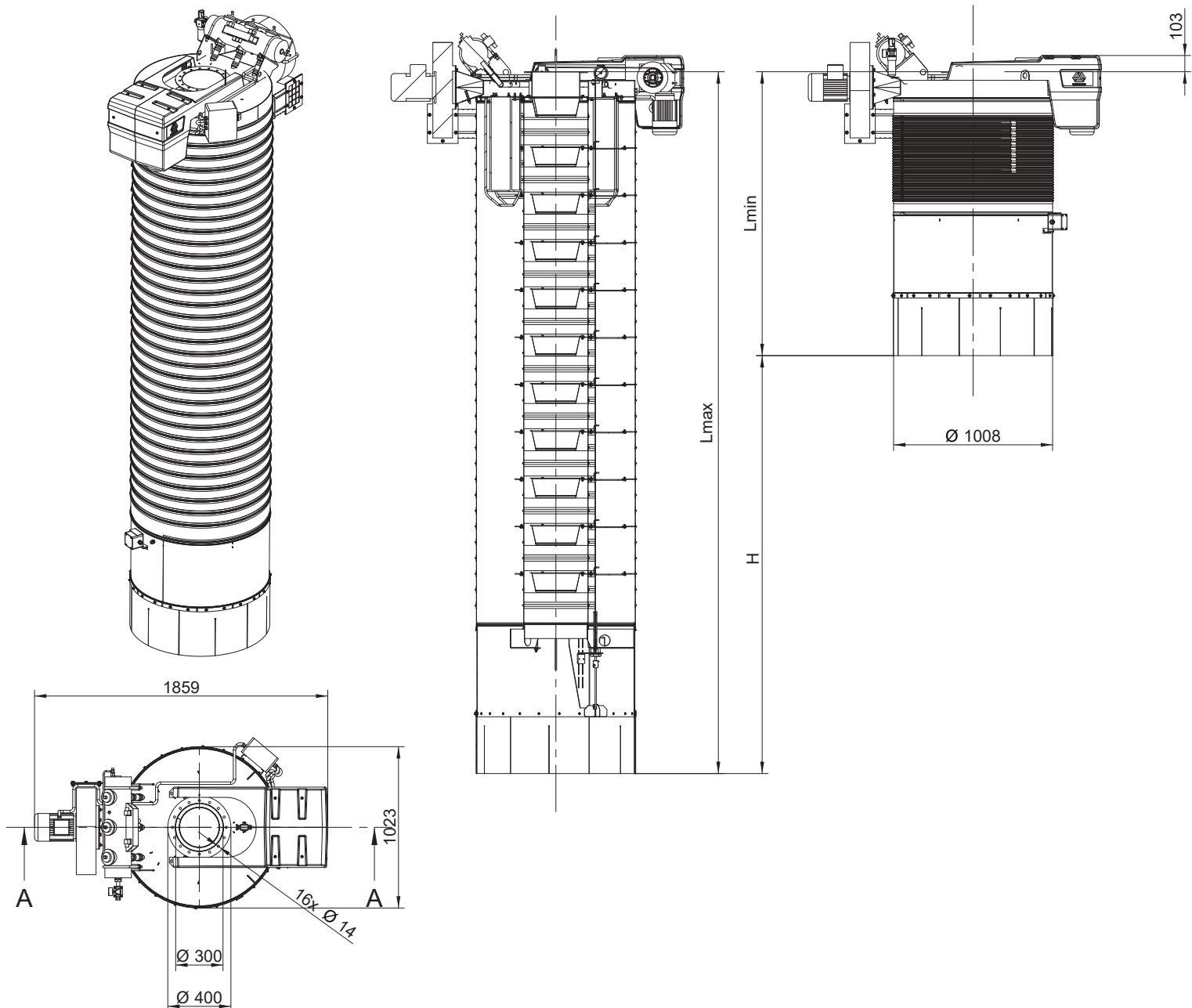
**ADDITIONAL ACCESSORIES**

- electric control box
- pendant or remote control
- vibration unit
- shut off valves (manual, electro, pneumatic)
- design for ATEX / non-standard temperature (-40 °C/+250 °C)

L <sub>min</sub> (retracted lenght)	L <sub>max</sub> (extracted lenght)	Travel (H)	Weight
1 850	3 850	2 000	330
1 800	4 450	2 650	345
2 050	5 050	3 000	356
2 150	5 650	3 500	431
2 350	6 850	4 500	508



Telescopic loading spout type NZOF300E with the powerful built-in filter, dustproof bell with rubber skirt and level indicator guarantees you a dustless loading of dry, dusty bulk solids on trucks or railway cars.



**DESCRIPTION**

- telescopic loading spout for dust-free loading of dry, dusty bulk solids on trucks and railcars

**OPERATION QUALITIES**

- max. flow rate 400 m<sup>3</sup>/h
- particle size 0-80 mm
- inlet diameter DN400
- operating temperature -20 °C / +80 °C
- motor drive 1.5 kW
- loading conduit consisting of internal telescopic tubes and outer bellows
- built-in filter, flow rate 1800 m<sup>3</sup>/h, fan 2.2 kW, filter area 17.5 m<sup>2</sup>, residual concentration at the output < 10 mg/m<sup>3</sup>, compressed air min. 5 bar, internal thread G ½"

**DESIGN**

- electric winch with limit switches for highest and lowest position, emergency sensors for highest and lowest positions
- terminal box for cable connection
- level switch – rotary / vibrating
- dustproof bell with rubber skirt at the lower end of the loading spout

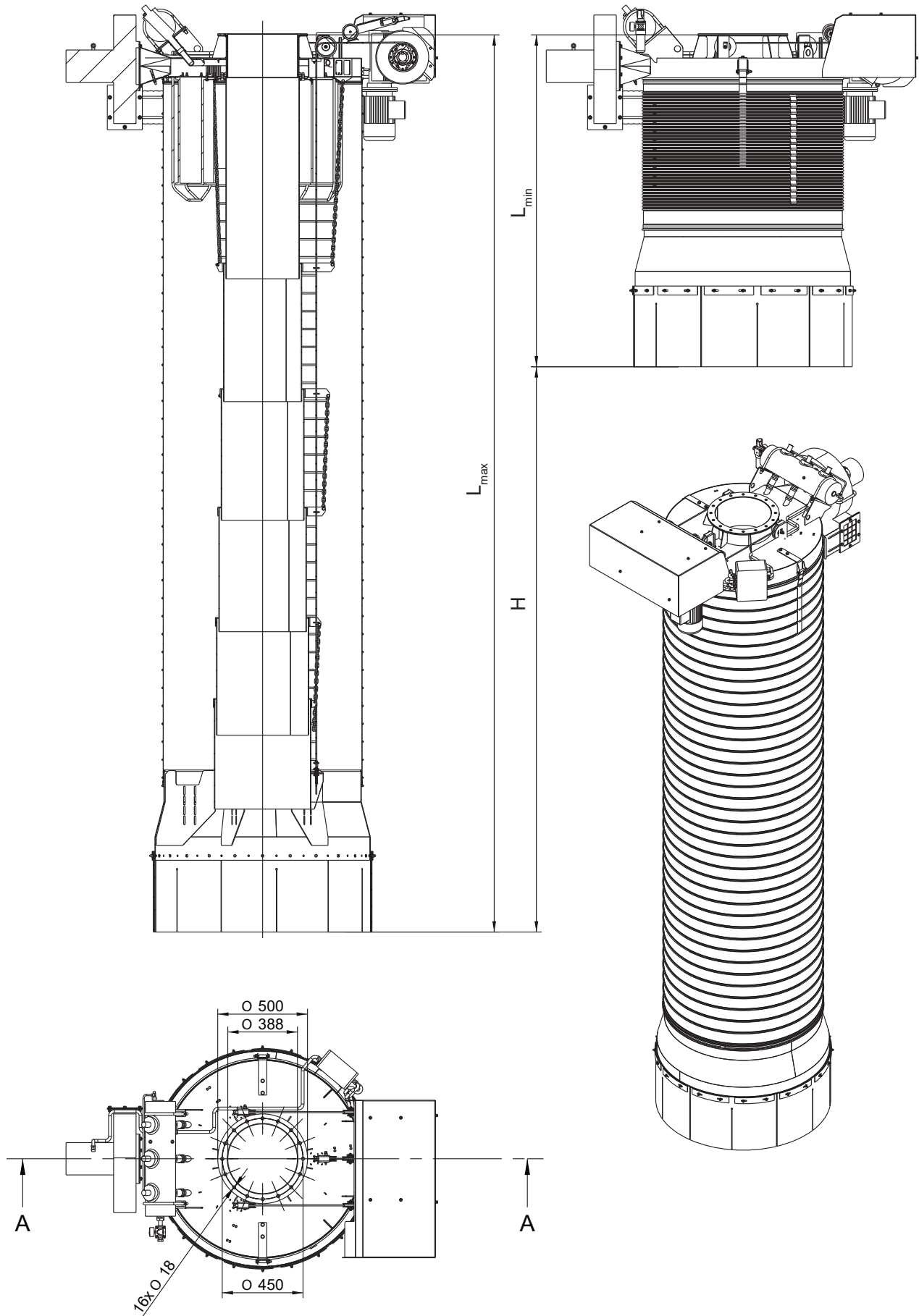
**ADDITIONAL ACCESSORIES**

- electric control box
- pendant or remote control
- vibration unit
- shut off valves (manual, electro, pneumatic)
- design for ATEX
- non-standard temperature (-40 °C / +250 °C)

L <sub>min</sub> (retracted length)	L <sub>max</sub> (extracted length)	Travel (H)	Weight
1850	5000	3150	694
2050	5650	3600	731
2200	6300	4100	733



Telescopic loading spout type NZOF400E with the powerful built-in filter, dustproof bell with rubber skirt and level indicator guarantee you a dustless loading of dry, dusty bulk solids on trucks or railway cars.



**DESCRIPTION**

- telescopic loading spout for dust-free loading of dry, dusty bulk solids on trucks and railcars

**OPERATION QUALITIES**

- max. loading rate 300 m<sup>3</sup>/h
- particle size 0 - 80 mm
- inlet diameter DN 400
- operating temperature -20 °C / +80 °C
- motor drive 0.55 - 0.75 kW
- loading conduit consisting of internal cones and external bellows

**DESIGN**

- electric winch with limit switches for highest and lowest position, emergency sensors for highest and lowest positions
- terminal box for cable connection
- level switch – rotary / vibrating
- dustproof bell with rubber skirt at the lower end of the loading spout

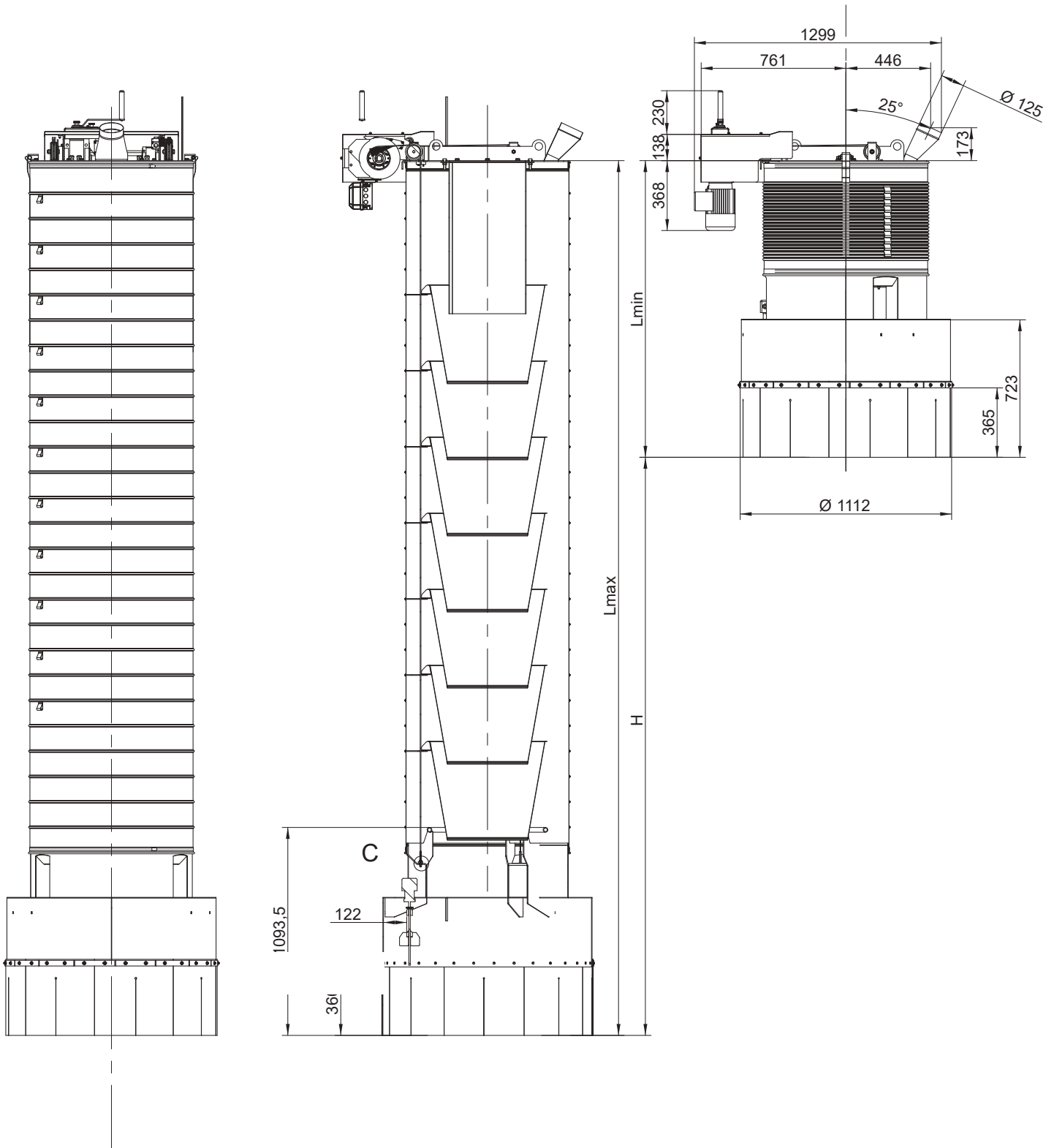
**ADDITIONAL ACCESSORIES**

- electric control box
- pendant or remote control
- vibration unit
- design for ATEX
- non-standard temperature (-40 °C / +250 °C)

$L_{min}$ (retracted length)	$L_{max}$ (extracted length)	Travel (H)	Weight
1460	3500	2040	255
1510	4200	2690	269
1560	4600	3040	283
1610	5000	3390	297
1660	5400	3740	310
1710	5800	4090	324
1760	6200	4440	338



Telescopic loading spout type NZO400E with the dustproof bell, rubber skirt and level indicator guarantees you a dustless loading of dry, dusty bulk solids on trucks or railway cars.





**DESCRIPTION**

- telescopic loading spout for dust-free loading of dry, dusty bulk solids on trucks and railcars

**OPERATION QUALITIES**

- max. flow rate 500 m<sup>3</sup>/h
- particle size 0-80 mm
- inlet diameter DN500
- operating temperature -20 °C / +80 °C
- motor drive 1.5 kW
- loading conduit consisting of internal tubes and outer bellows
- built-in filter: flow rate 2500 m<sup>3</sup>/h, fan 3 kW, filter area 23.3 m<sup>2</sup>, residual concentration at the output < 10 mg/m<sup>3</sup>, compressed air min. 5 bar, internal thread G 1/2"

**DESIGN**

- electric winch with limit switches for highest and lowest position, emergency sensors for highest and lowest positions
- terminal box for cable connection
- level switch – rotary
- dustproof bell with rubber skirt at the lower end of the loading spout

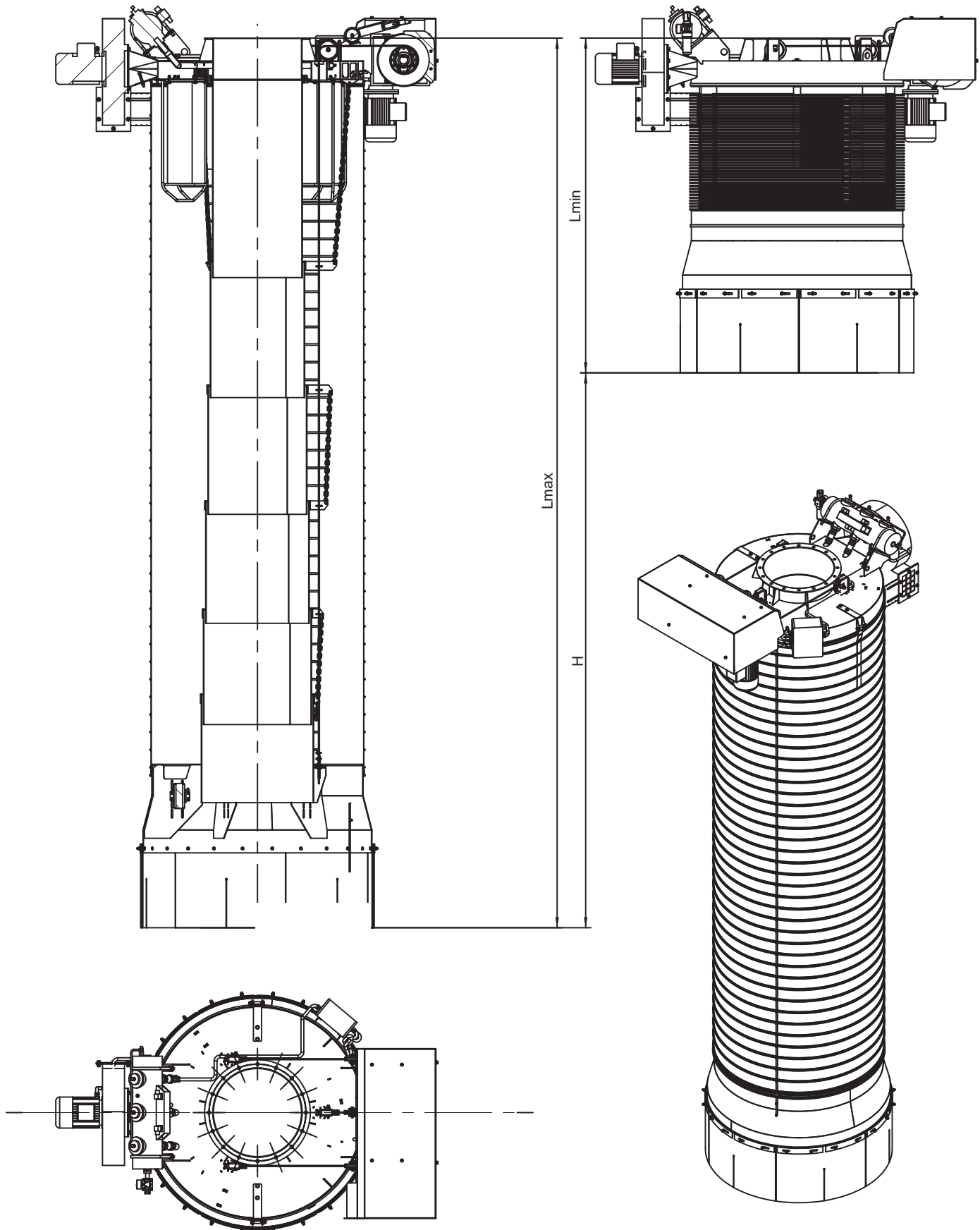
**ADDITIONAL ACCESSORIES**

- electric control box
- pendant or remote control
- vibration unit
- design for ATEX
- non-standard temperature (-40 °C / +250 °C)

L <sub>min</sub> (retracted lenght)	L <sub>max</sub> (extracted lenght)	Travel (H)	Weight
1900	5050	3150	920
2000	5600	3600	1100



Telescopic loading spout type NZOF500E with the powerful built-in filter, dustproof bell with rubber skirt and level indicator guarantee you a dustless loading of dry, dusty bulk solids on trucks or railway cars.



**DESCRIPTION**

telescopic loading spout for dust-free loading of dry, dusty bulk solids on trucks and railcars

**OPERATION QUALITIES**

- inlet diameter DN400
- max. flow rate 400 m<sup>3</sup>/h
- particle size 0-100 mm
- pipe for connection to external filtration
- operating temperature -20 °C / +80 °C
- motor drive 1.25 kW
- loading conduit consisting of internal telescopic tubes and outer bellows

**DESIGN**

- electric winch with limit switches for highest and lowest position, emergency sensors for highest and lowest positions
- terminal box for cable connection
- level switch – rotary / vibrating
- dustproof bell with rubber skirt at the lower end of the loading spout

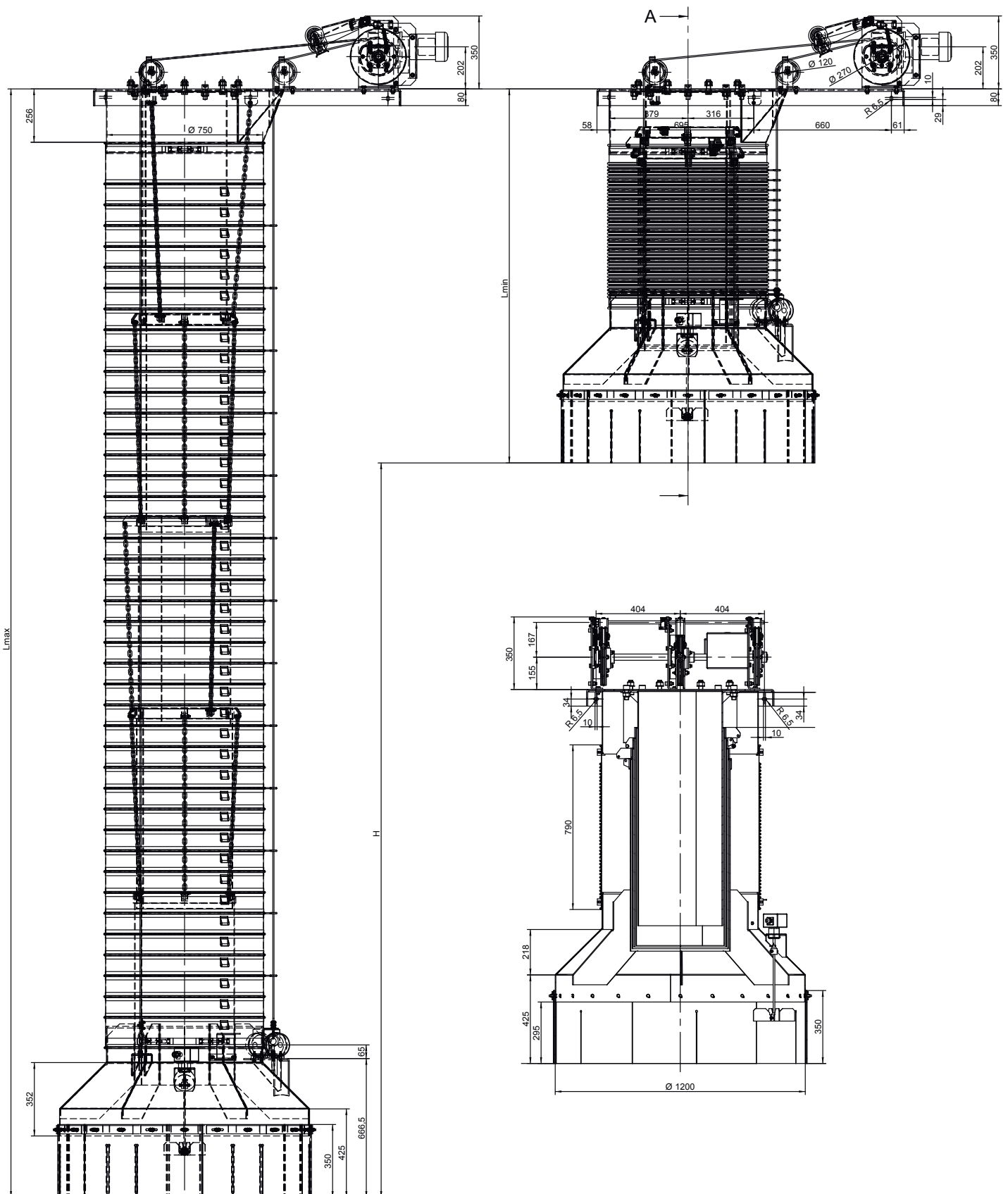
**ADDITIONAL ACCESSORIES**

- electric control box
- pendant or remote control
- vibration unit
- shut off valves (manual, electro, pneumatic)
- design for ATEX / non-standard temperature (-40 °C / +250 °C)

L <sub>min</sub> (retracted length)	L <sub>max</sub> (extracted length)	Travel (H)	Weight
1 250	3 500	2 250	489
1 400	3 900	2 500	531
1 700	4 500	3 000	484
1 800	5 750	3 950	633
1 800	6 400	4 600	669



Robust-design telescopic loading spout type NZO400S with the dustproof bell, rubber skirt and level indicator guarantees you a dustless loading of dry, dusty bulk solids on trucks or railway cars.



**DESCRIPTION**

telescopic loading spout for dust-free loading of dry, dusty bulk solids on trucks and railcars

**OPERATION QUALITIES**

- max. loading rate 450-500 m<sup>3</sup>/h
- particle size 0-80 mm
- inlet diameter DN 500
- operating temperature -20 °C / +80 °C
- motor drive 1.25 kW
- loading conduit consisting of internal telescopic tubes and outer bellows

**DESIGN**

- electric winch with limit switches for highest and lowest position, emergency sensors for highest and lowest positions
- terminal box for cable connection
- level switch – rotary / vibrating
- dustproof bell with rubber skirt at the lower end of the loading spout

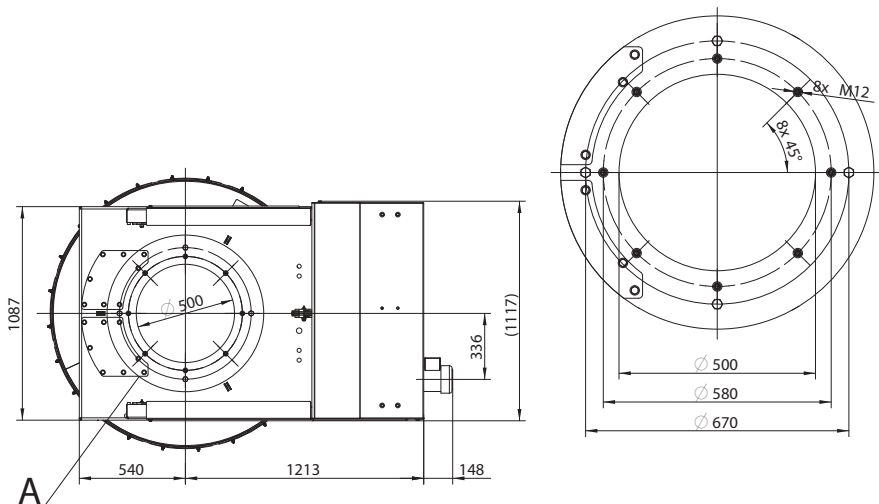
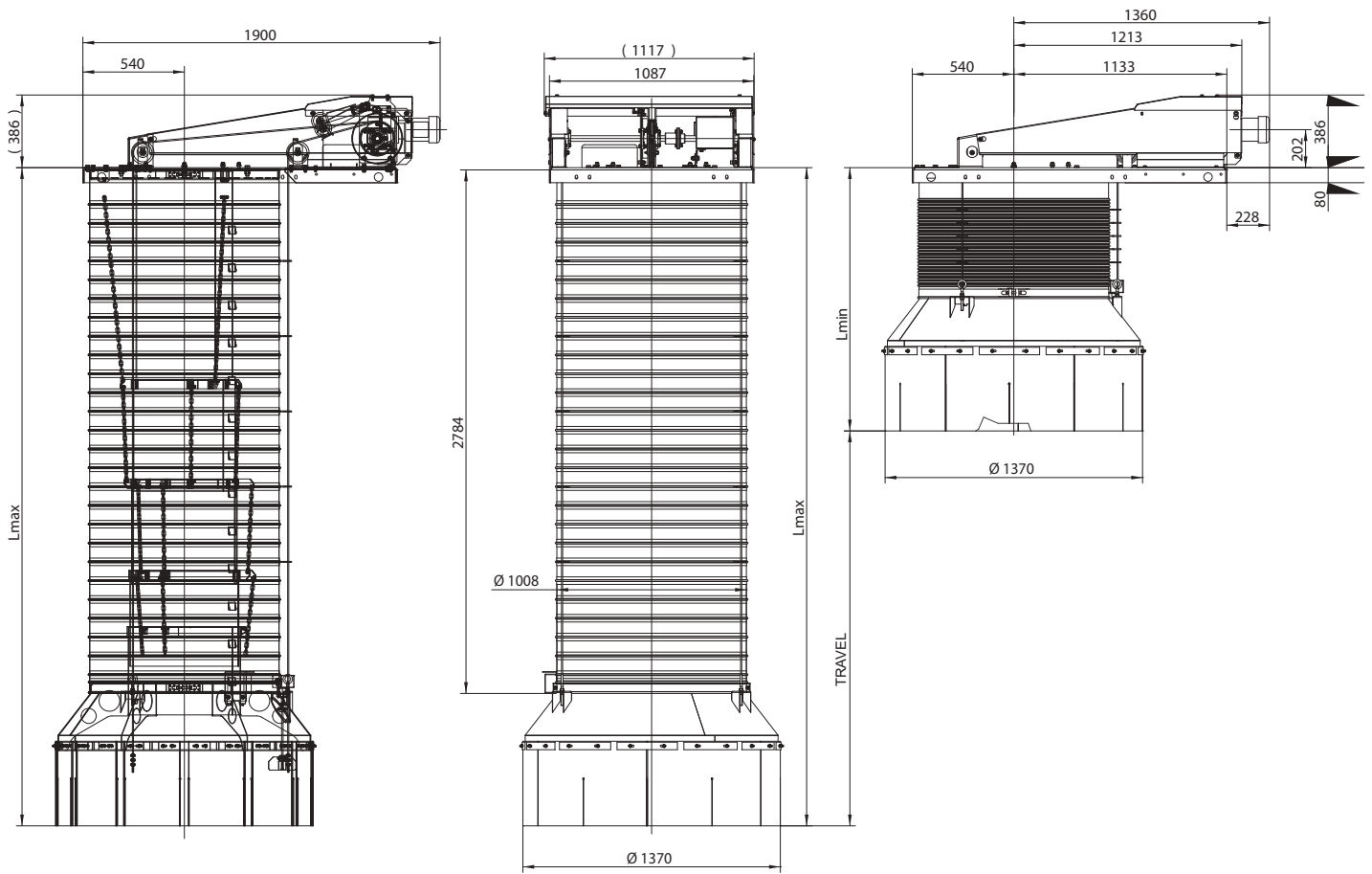
**ADDITIONAL ACCESSORIES**

- electric control box
- pendant or remote control
- vibration unit
- design for ATEX
- non-standard temperature (-40 °C/+250 °C)

L <sub>min</sub> (retracted length)	L <sub>max</sub> (extracted length)	Travel (H)	Weight
1400	3500	2100	565
1460	4000	2540	590
1600	4500	2900	620
1635	5160	3525	666
1775	5750	3975	692
1830	6200	4370	730



Telescopic loading spout type NZO500S with the dustproof bell, rubber skirt and level indicator guarantee you a dustless loading of dry, dusty bulk solids on trucks or railway cars.



**DESCRIPTION**

telescopic loading spout for loading of sticky bulk solids (gypsum, ash) on trucks and railcars

**OPERATION QUALITIES**

- inlet diameter DN 1000
- typical flow rate 100-200 t/h
- particle size 0-50 mm
- operating temperature -20 °C / +80 °C
- motor drive 0.37 kW
- loading conduit consisting of long inlet tube (carbon steel lined PE UHMW) and outer bellows (diameter 1000 mm)

**DESIGN**

- electric winch with limit switches for highest and lowest position, emergency sensors for highest and lowest positions
- terminal box for cable connection
- level switch – 1 x rotary type
- dustproof bell with rubber skirt at the lower end of the loading spout

**ADDITIONAL ACCESSORIES**

- electric control box
- pendant or remote control
- vibration unit

$L_{min}$ (retracted length)	$L_{max}$ (extracted length)	Travel (H)	Weight
1 400	3 850	2 450	553
1 450	4 150	2 700	556
1 500	4 350	2 850	571
1 750	5 050	3 300	573
1 850	5 676	3 826	578

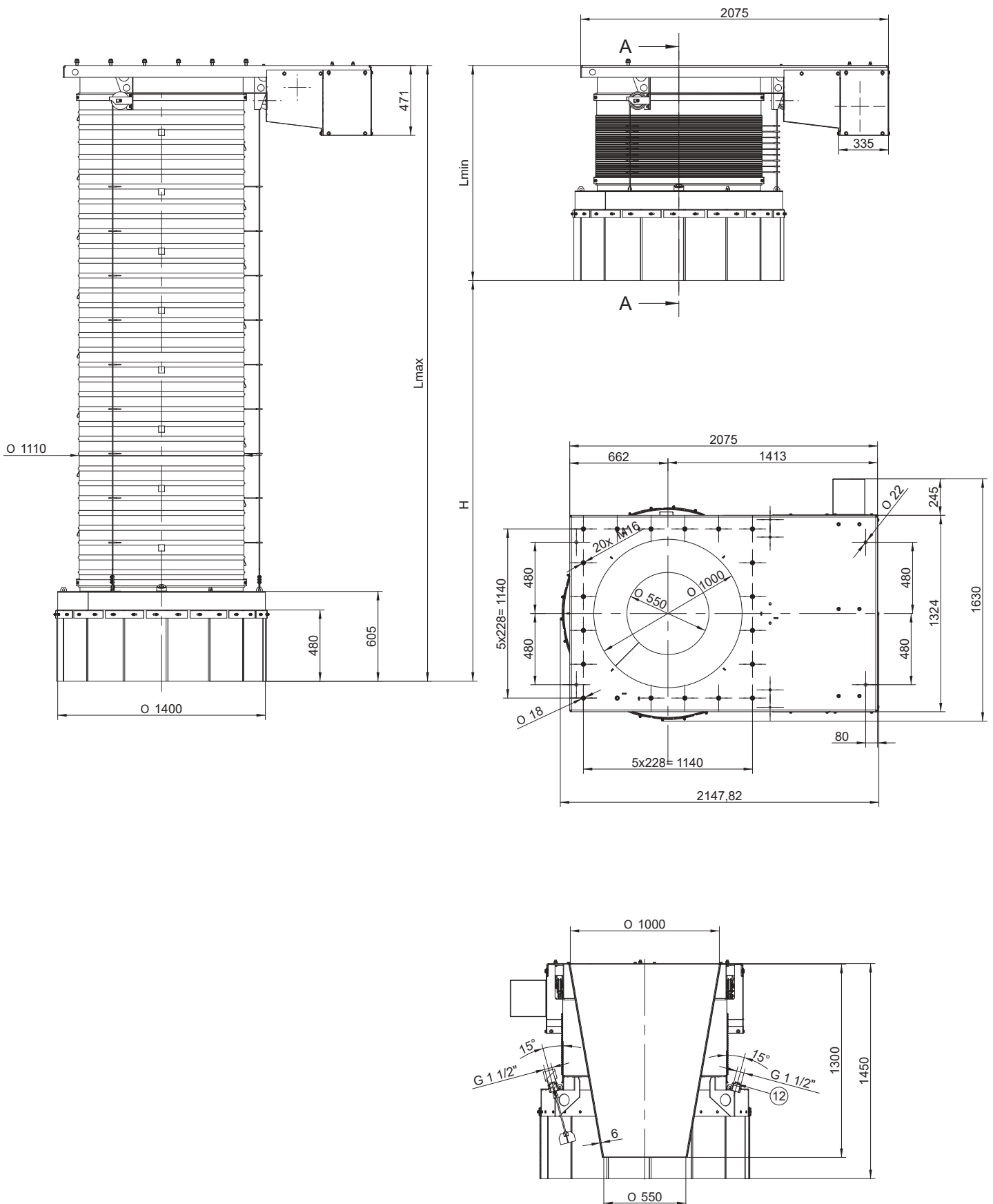


0 - 5



max. 200 m<sup>3</sup>/h

Robust-design telescopic loading spout type NZO1000S with the dustproof bell, rubber skirt and level indicator guarantee you a safe loading of sticky bulk solids on trucks or railway cars.





**DESCRIPTION**

telescopic loading spout for dust-free loading of dry, dusty bulk solids on trucks and railcars

**OPERATION QUALITIES**

- max. flow rate 500 m<sup>3</sup>/h
- particle size 0-100 mm
- inlet diameter DN600
- pipe for connection to external filtration
- operating temperature -20 °C / +80 °C
- motor drive 2.2 kW
- loading conduit consisting of internal telescopic tubes and outer bellows

**DESIGN**

- electric winch with limit switches for highest and lowest position, emergency sensors for highest and lowest positions
- terminal box for cable connection
- level switch – 2x rotary
- dustproof bell with rubber skirt at the lower end of the loading spout

**ADDITIONAL ACCESSORIES**

- electric control box
- shut off valves (manual, electro, pneumatic)
- design for ATEX / non-standard temperature (-40 °C / +250 °C)

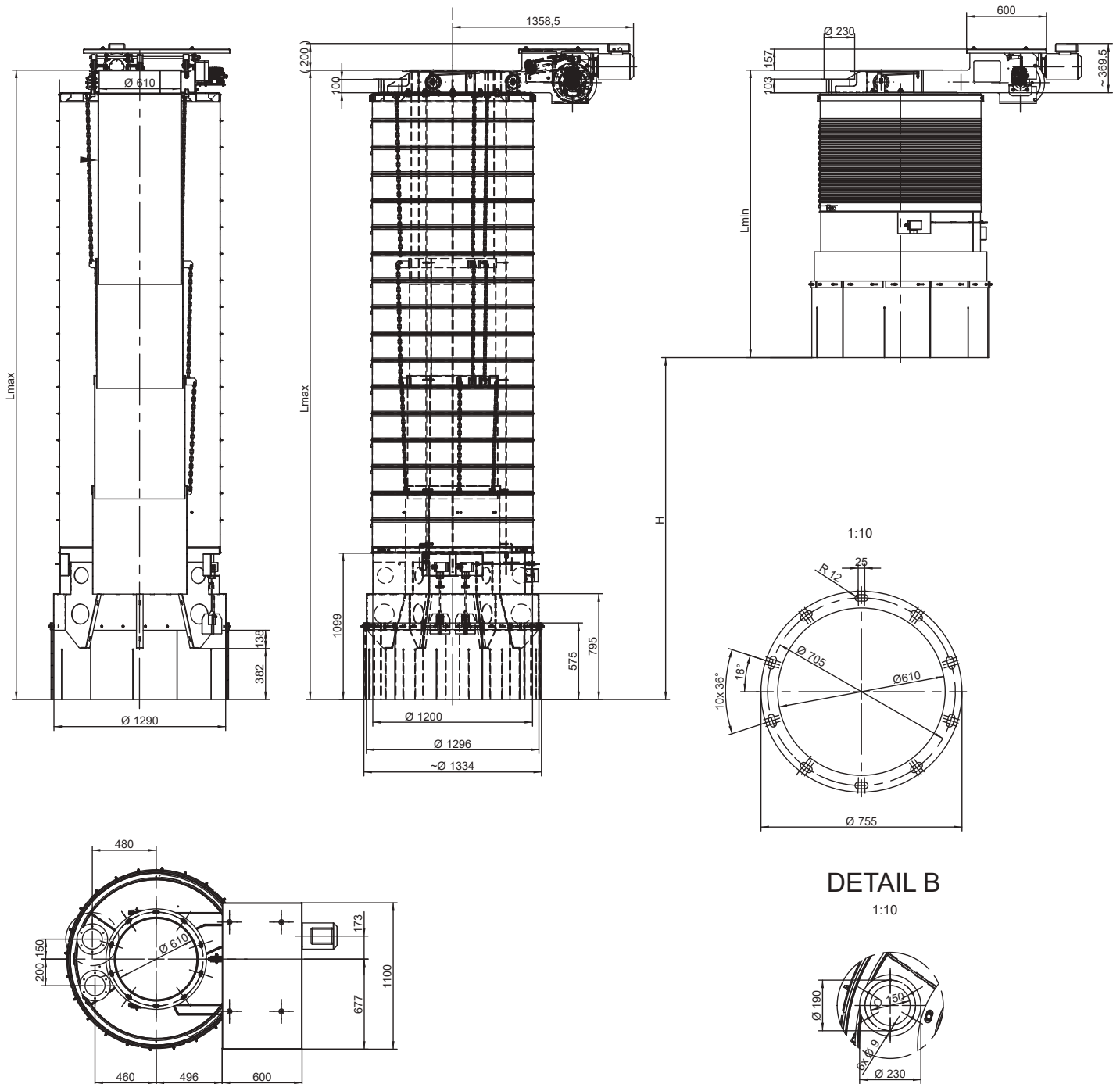
L <sub>min</sub> (retracted length)	L <sub>max</sub> (extracted length)	Travel (H)	Weight
1940	3635	1695	631
1900	4670	2770	949
2160	4729	2569	704
2160	5060	2900	798
2230	5151	2921	750
2490	6150	3660	823
2600	6700	4100	906
2650	7200	4550	1100
2700	7700	5000	1125
2800	8200	5400	1170



Robust-design telescopic loading spout type NZO600H with the dustproof bell, rubber skirt and level indicator guarantees you a dustless loading of dry, dusty bulk solids on trucks or railway cars.

## 2.3. HEAVY LINE

### 2.3.1. NZO600H



**DESCRIPTION**

telescopic loading spout for dust-free loading of abrasive, dusty bulk solids on trucks and railcars

**OPERATION QUALITIES**

- max. flow rate 1300 m<sup>3</sup>/h
- particle size 0-100 mm
- inlet diameter DN 800
- operating temperature -20 °C / +80 °C
- motor drive 2.2 kW
- loading conduit consisting of internal telescopic tubes and outer bellows

**DESIGN**

- electric winch with limit switches for highest and lowest position, emergency sensors for highest and lowest positions
- terminal box for cable connection
- level switch – 2 x rotary / 2 x vibrating
- dustproof bell with rubber skirt at the lower end of the loading spout

**ADDITIONAL ACCESSORIES**

- electric control box
- vibration unit
- design for ATEX
- non-standard temperature (-40 °C / +250 °C)

L <sub>min</sub> (retracted length)	L <sub>max</sub> (extracted length)	Travel (H)	Weight
2420	6000	3580	1825
2540	6700	4160	1885
2640	7200	4560	1940
2740	7800	5060	1990



0 - 100

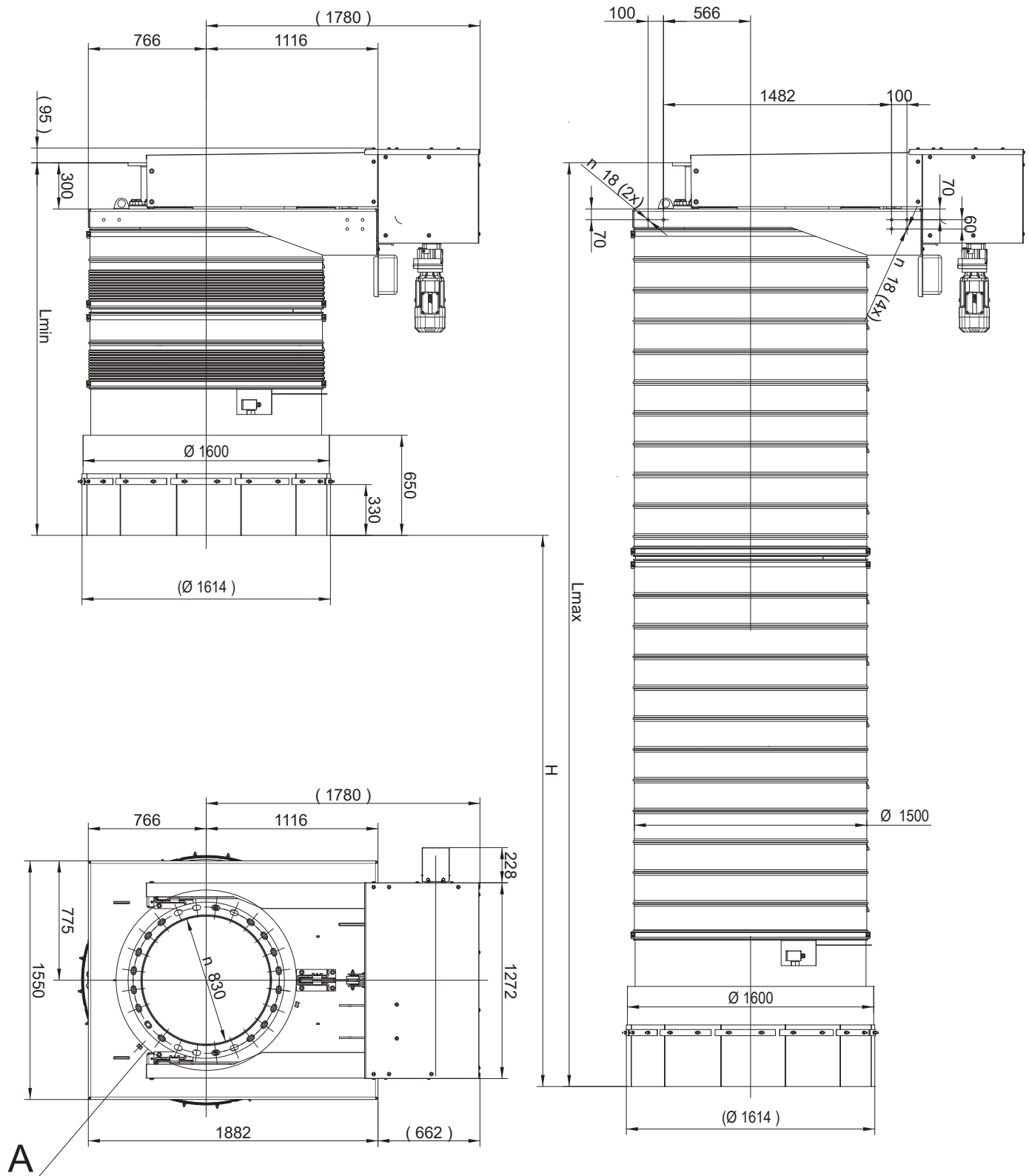


max. 1300 m<sup>3</sup>/h

Robust-design telescopic loading spout type NZO800H with the dustproof bell, rubber skirt and level indicator guarantees you a dustless loading of dry, abrasive bulk solids on trucks or railway cars.

## 2.3. HEAVY LINE

### 2.3.2. NZO800H



**3.1. STANDARD LINE**  
**3.1.1. NZO300S**

**DESCRIPTION**

telescopic loading spout for dust-free loading of dry, dusty bulk solids on stockpiles

**OPERATION QUALITIES**

- Inlet diameter DN300
- max. flow rate 250 m<sup>3</sup>/h
- particle size 0-50 mm
- pipe for connection to external filtration
- operating temperature -20 °C / +80 °C
- motor drives 1.6 - 2.2 kW
- loading conduit consisting of internal telescopic tubes and outer bellows

**DESIGN**

- electric winch with limit switches for highest and lowest position, emergency sensors for highest and lowest positions
- terminal box for cable connection
- level switch – 2x rotary
- dustproof bell with rubber skirt at the lower end of the loading spout

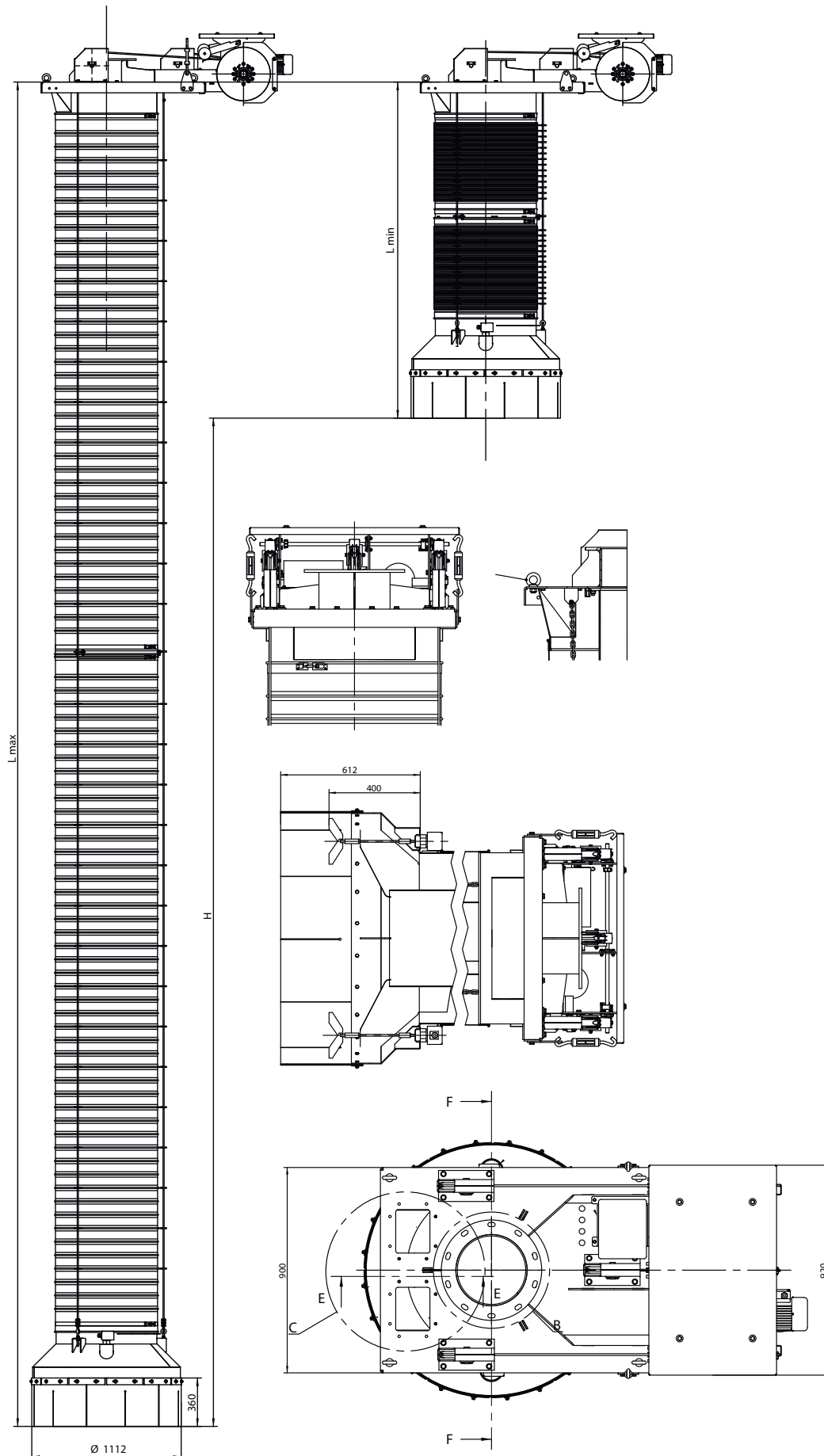
**ADDITIONAL ACCESSORIES**

- electric control box
- design for ATEX / non-standard temperature (-40 °C / +250 °C)

L <sub>min</sub> (retracted length)	L <sub>max</sub> (extracted length)	Travel (H)	Weight
2360	8 000	5 640	776
2500	10 000	7 500	900
2780	11 986	9 206	930
2890	14 000	11 110	1013
3800	15 000	11 200	1310



Telescopic loading spout type NZO300S with the dustproof bell, rubber skirt and level indicator guarantees you a dustless loading of dry, dusty bulk solids on stockpiles and ships.



#### DESCRIPTION

telescopic loading spout for dust-free loading of dry, dusty bulk solids on stockpiles

#### OPERATION QUALITIES

- inlet diameter DN600
- max. flow rate approx. 1000 m<sup>3</sup>/h
- particle size 0-100 mm
- pipe for connection to external filtration
- operating temperature -20 °C / +80 °C
- motor drives 3 - 5,5 kW
- loading conduit consisting of internal telescopic tubes and outer bellows

#### DESIGN

- electric winch with limit switches for highest and lowest position, emergency sensors for highest and lowest positions
- terminal box for cable connection
- level switch – 2x rotary
- dustproof bell with rubber skirt at the lower end of the loading spout

#### ADDITIONAL ACCESSORIES

- electric control box
- design for ATEX / non-standard temperature (-40°C/+250°C)

L <sub>min</sub> (retracted length)	L <sub>max</sub> (extracted length)	Travel (H)	Weight
2830	9 250	6 420	2108
3050	13 250	10 200	2300
3500	15 000	11 500	2755
3500	16 539	13 093	2761
3750	18 300	14 550	3315
4700	20 100	15 400	3360



0 - 100

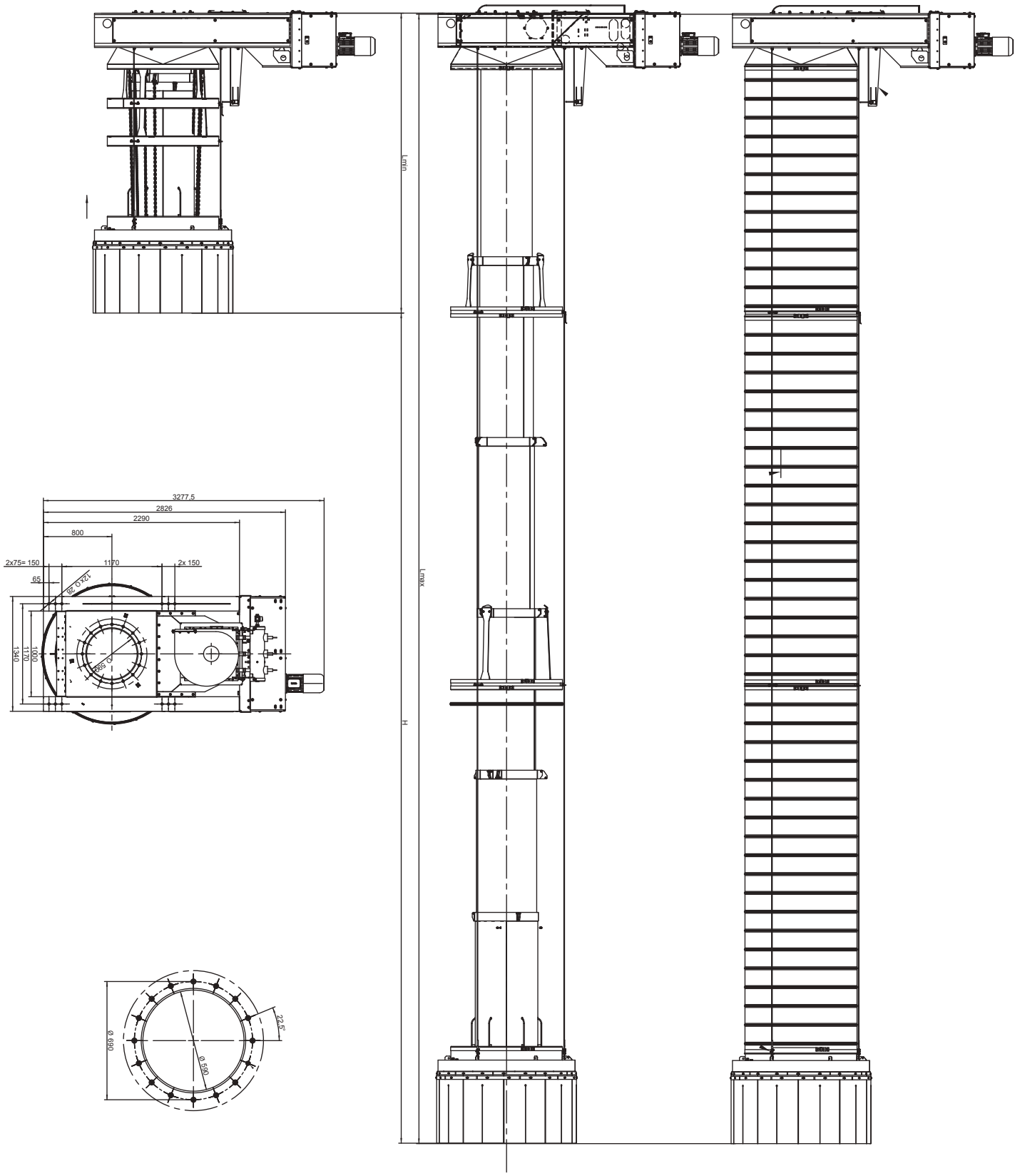


max. 1000 m<sup>3</sup>/h

Robust-design telescopic loading spout type NZO600DH with the dustproof bell, rubber skirt and level indicator guarantees you a dustless loading of dry, dusty bulk solids on stockpiles or ships.

## 3.2. HEAVY LINE

### 3.2.1. NZO600DH





**DESCRIPTION**

telescopic loading spout for dust-free loading of dry, dusty bulk solids on stockpiles and ships

**OPERATION QUALITIES**

- max. loading rate 1200 m<sup>3</sup>/h (depends on particle size and product bulk density)
- particle size 0-200 mm
- inlet diameter DN 800
- operating temperature -20 °C / +80 °C
- motor drives 3 - 7.5 kW
- loading conduit consisting of internal telescopic tubes and external bellows

**DESIGN**

- electric winch with limit switches for highest and lowest position, emergency sensors for highest and lowest positions
- terminal box for cable connection
- level switch – 4 x tilt type
- dustproof bell with rubber skirt at the lower end of the loading spout

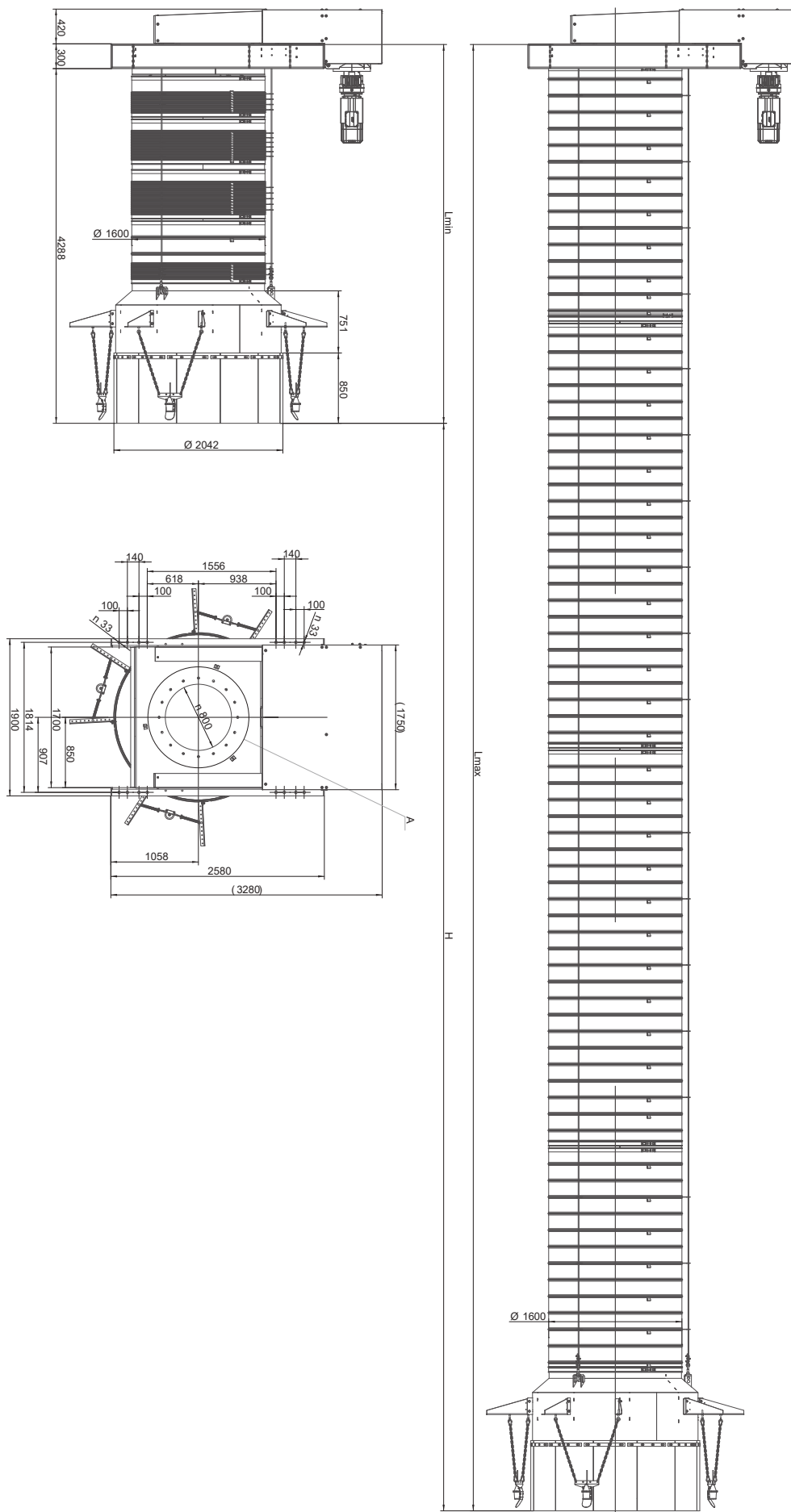
**ADDITIONAL ACCESSORIES**

- electric control box
- design for ATEX
- non-standard temperature (-40 °C / +250 °C)

L <sub>min</sub> (retracted length) mm	L <sub>max</sub> (extracted length) mm	Travel mm	Weight kg (approx.)
4 080	11 110	7 030	3 900
4 100	12 660	8 560	4 325
4 100	14 113	10 013	4 650
4 580	15 790	11 210	4 750
4 580	17 228	13 148	5 100
4 580	19 580	15 000	5 320



Robust-design telescopic loading spout type NZO800DH with the dustproof bell, rubber skirt and level switches guarantees you a dustless loading of dry, dusty bulk solids on stockpiles or ships.



#### DESCRIPTION

telescopic loading spout for dust-free loading of dry, dusty bulk solids on stockpiles

#### OPERATION QUALITIES

- max. flow rate 2000 m<sup>3</sup>/h
- particle size 0-400 mm
- inlet diameter DN900 (depends on the particle size and product bulk density)
- operating temperature -20 °C / +80 °C
- motor drives 5.5 - 9.2 kW
- loading conduit consisting of telescopic tubes

#### DESIGN

- electric winch with limit switches for highest and lowest position, emergency sensors for highest and lowest positions
- terminal box for cable connection
- level switch – 4x tilt type
- dustproof bell with rubber skirt at the lower end of the loading spout

#### ADDITIONAL ACCESSORIES

- electric control box
- design for ATEX / non-standard temperature (-40°C/+250°C)

L <sub>min</sub> (retracted length)	L <sub>max</sub> (extracted length)	Travel (H)	Weight
3 350	9 808	6 458	3 370
4 300	14 580	10 280	4 450
4 500	15 750	11 250	4 630
4 900	17 075	12 175	4 780
5 160	19 133	13 973	5 065
5 440	21 614	16 174	5 380

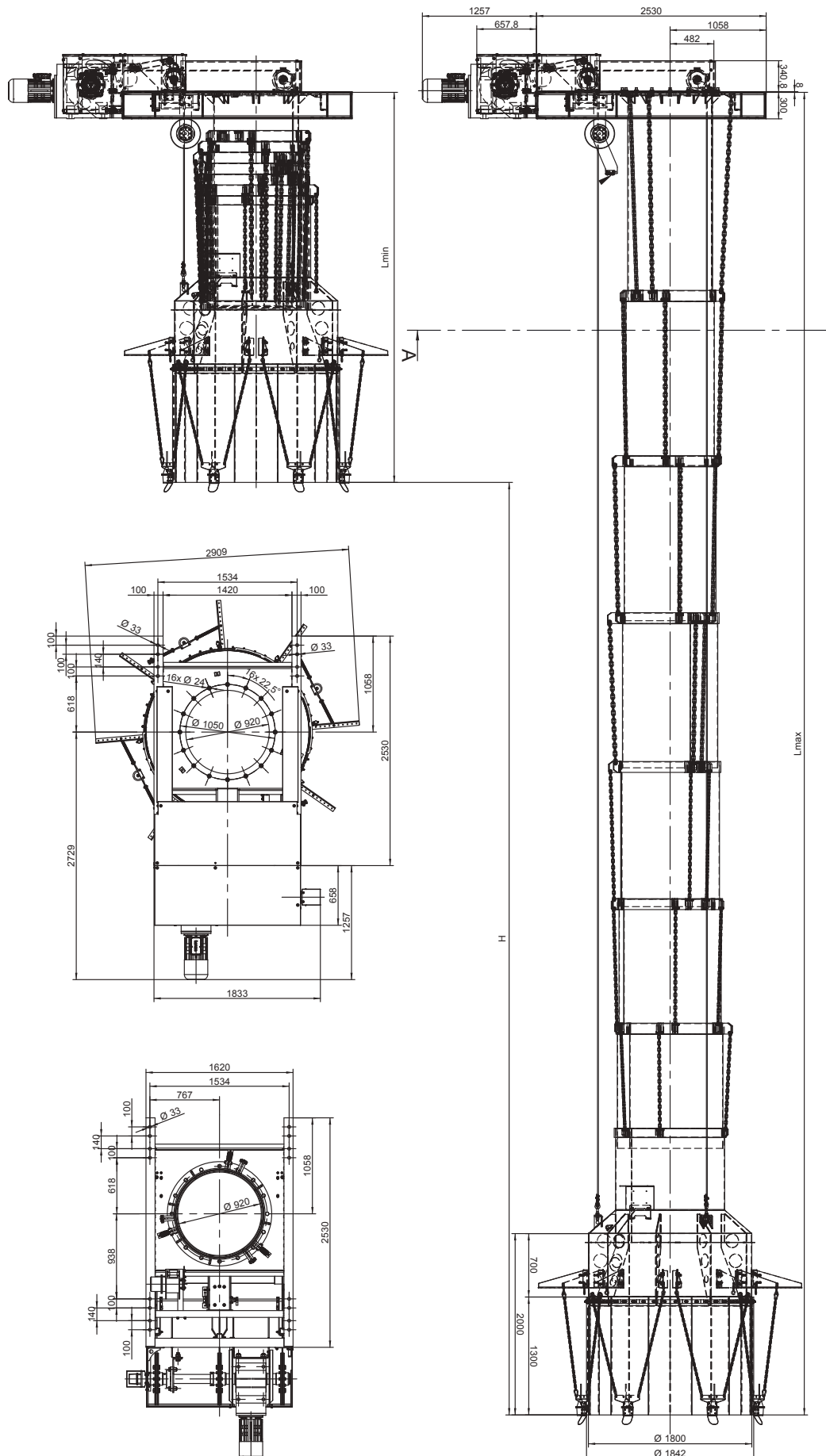


Robust-design telescopic loading spout type NZO900DH with the dustproof bell, rubber skirt and four level indicators guarantees you a dustless loading of dry, dusty bulk solids on stockpiles or ships.

# STOCKPILES LOADING SPOUTS

## 3.2. HEAVY LINE

### 3.2.3. NZO900DH



**DESCRIPTION**

telescopic loading spout for dust-free loading of dry, dusty bulk solids on stockpiles and ships

**OPERATION QUALITIES**

- max. loading rate 1500 m<sup>3</sup>/h (depends on particle size and product bulk density)
- particle size 0 - 300 mm
- inlet diameter DN 1000
- operating temperature -20 °C / +80 °C
- motor drive 11 - 15 kW
- loading conduit consisting of internal telescopic tubes and external bellows

**DESIGN**

- electric winch with limit switches for highest and lowest position, emergency sensors for highest and lowest positions
- terminal box for cable connection
- level switch – 4 x tilt type
- dustproof bell with rubber skirt at the lower end of the loading spout

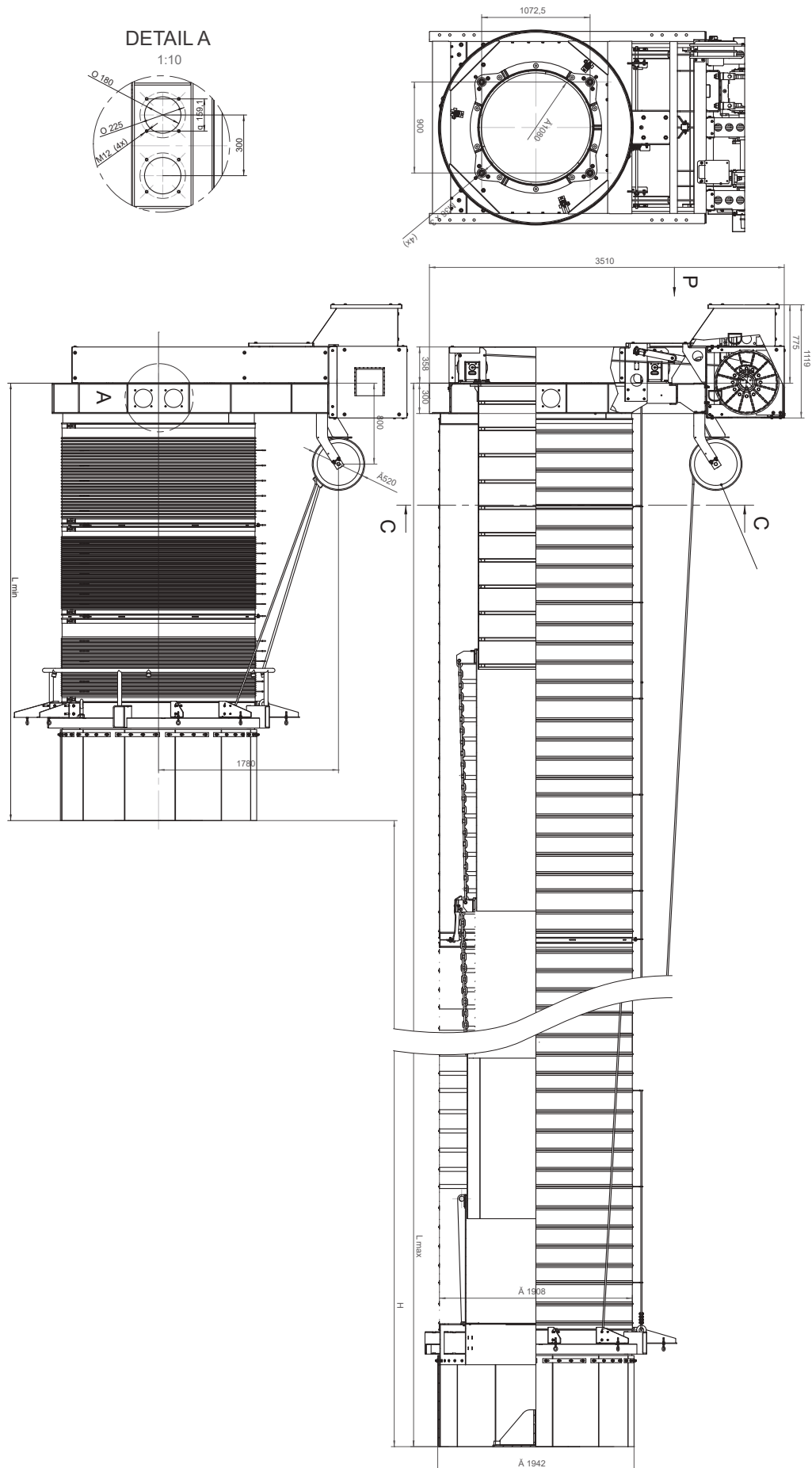
**ADDITIONAL ACCESSORIES**

- electric control box
- design for ATEX
- load cells to prevent the clogging
- non-standard temperature (-40 °C / +250 °C)

L <sub>min</sub> (retracted lenght)	L <sub>max</sub> (extracted lenght)	Travel (H)	Weight
3 000	10 400	7 400	3 900
3 640	12 280	8 640	6 746
3 350	13 380	10 030	4 800
3 680	15 750	12 070	5 550
3 930	17 980	14 050	5 925
4 325	19 110	14 785	8 063



Robust-design telescopic loading spout type NZO1000DH with the dustproof bell, rubber skirt and level switches guarantees you a dustless loading of dry, dusty bulk solids on stockpiles or ships.



**DESCRIPTION**

telescopic loading spout for dust-free loading of dry, dusty bulk solids into trucks, railcars and tankers

**OPERATION QUALITIES**

- max. flow rate 250 m<sup>3</sup>/h
- particle size 0-40 mm
- inlet diameter DN300
- pipe Ø125 mm for connection to external filtration
- operating temperature -20 °C / +80 °C
- motor drives 0.55 - 0.75 kW
- loading conduit consisting of internal cones and outer bellows

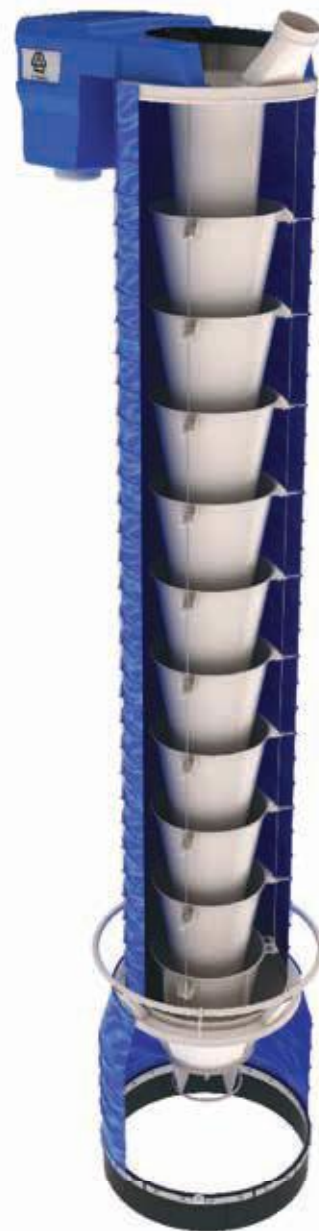
**DESIGN**

- electric winch with limit switches for highest and lowest position, emergency sensors for highest and lowest positions
- terminal box for cable connection
- level switch – vibrating / rotary / capacitance type
- bottom part consisting of sealing cone and dustproof bell with rubber skirt
- available with manual and electrical changing of the dustproof bell

**ADDITIONAL ACCESSORIES**

- electric control box
- pendant or remote control
- vibration unit
- shut off valves (manual, electro, pneumatic)
- design for ATEX / non-standard temperature (-40 °C / +250 °C)

L <sub>min</sub> (retracted length)	L <sub>max</sub> (extracted length)	L <sub>max</sub> O (extracted length for open loading)	Travel (H)
1 500	4 500	4 689	3 000
1 700	4 800	4 916	3 100
1 700	5 700	5 884	4 000

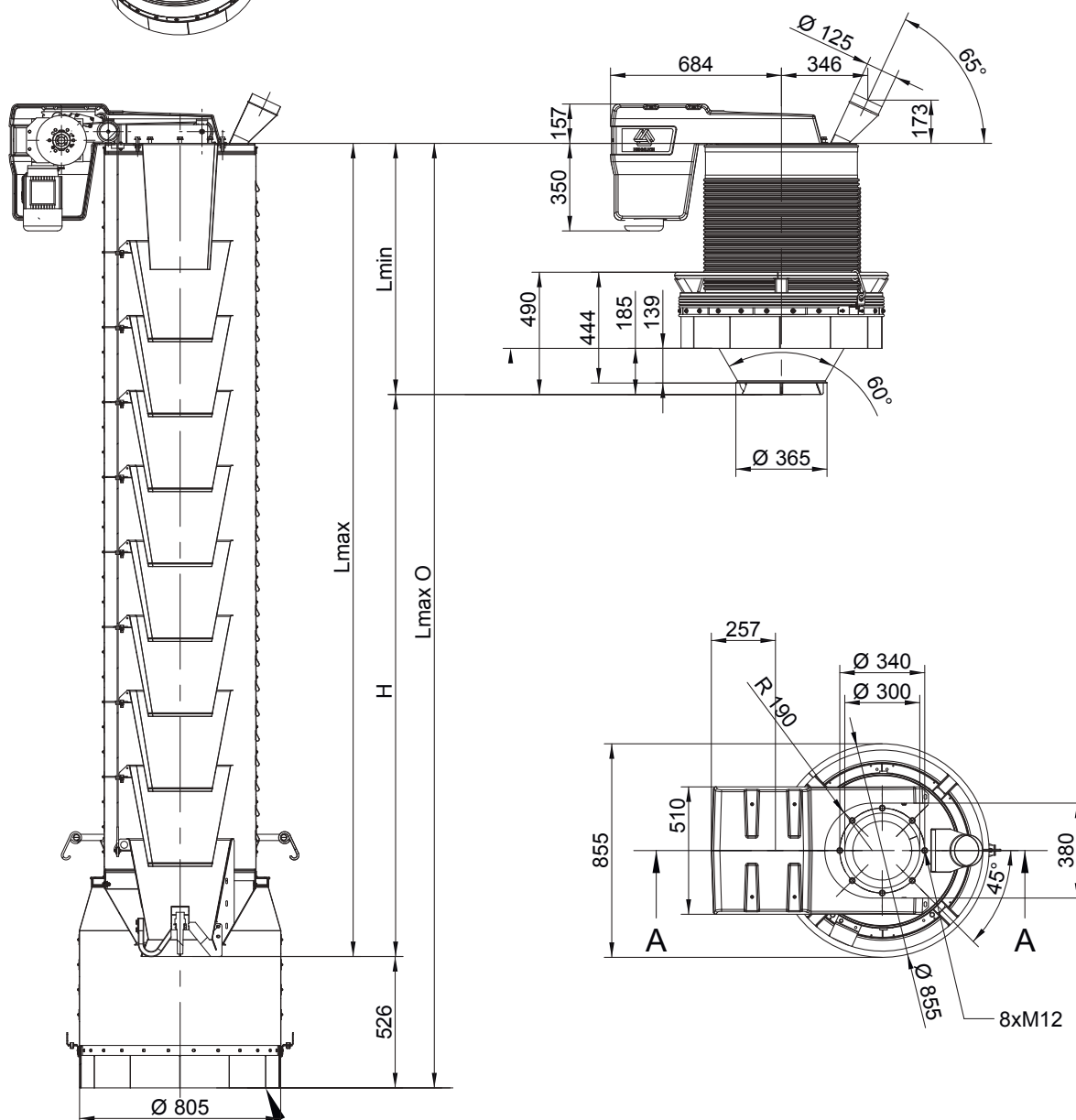
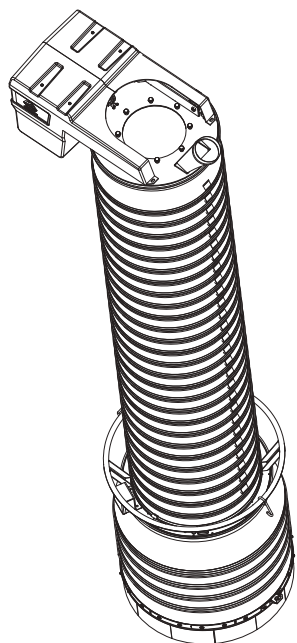


Combined telescopic loading spout type NZK300E for dustless loading of dry, dusty bulk solids into closed tankers, railway vehicles and open trucks or railway cars.

# COMBINED LOADING SPOUTS

## 4.1. ECONOMIC LINE

### 4.1.1. NZK300E





**DESCRIPTION**

telescopic loading spout for dust-free loading of dry, dusty bulk solids into trucks, railcars and tankers

**OPERATION QUALITIES**

- max. flow rate 250 m<sup>3</sup>/h
- particle size 0-40 mm
- inlet diameter DN300
- built-in filter: flow rate 900 m<sup>3</sup>/h, filter area 17.5 m<sup>2</sup>, residual concentration at the output < 10 mg/m<sup>3</sup>
- operating temperature -20 °C / +80 °C
- motor drives 0.55 - 0.75 kW
- loading conduit consisting of internal cones and outer bellows

**DESIGN**

- electric winch with limit switches for highest and lowest position, emergency sensors for highest and lowest positions
- terminal box for cable connection
- level switch – vibrating / rotary / capacitance type
- bottom part consisting of sealing cone and dustproof bell with rubber skirt
- available with manual and electrical changing of the dustproof bell

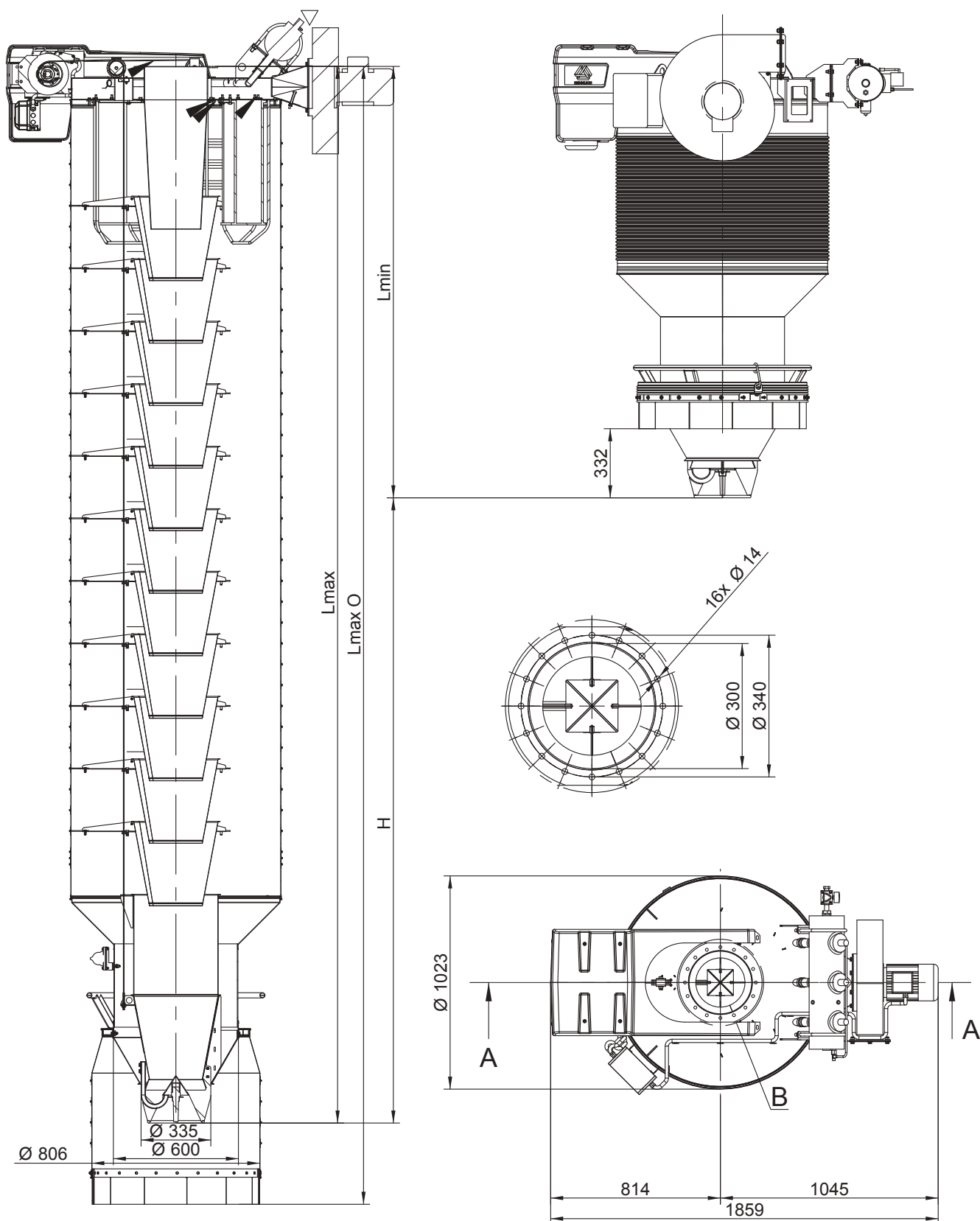
**ADDITIONAL ACCESSORIES**

- electric control box
- pendant or remote control
- vibration unit
- shut off valves (manual, electro, pneumatic)
- design for ATEX / non-standard temperature (-40 °C / +250 °C)

L <sub>min</sub> (retracted length)	L <sub>max</sub> (extracted length)	L <sub>max</sub> O (extracted length for open loading)	Travel (H)
1 800	4 800	4 959	3 000
1 906	4 900	5 083	2 994
2 150	5 150	5 299	3 000



Combined telescopic loading spout type NZKF300E with powerful built-in filter guarantees you a dustless loading of dry, dusty bulk solids into closed tankers, railway vehicles and open trucks or railway cars.



**DESCRIPTION**

telescopic loading spout for dust-free loading of dry, dusty bulk solids on ships

**OPERATION QUALITIES**

- max. flow rate 1000 m<sup>3</sup>/h
- particle size 0-80 mm
- inlet diameter DN600
- operating temperature -20 °C / +80 °C
- motor drives 5.5 - 9.2 kW
- loading conduit consisting of tubes

**DESIGN**

- electric winch with limit switches for highest and lowest position, emergency sensors for highest and lowest positions
- terminal box for cable connection
- level switch – 4x tilt type
- special rotary shovel at the end of the spout for an effective material distribution into the ship

**ADDITIONAL ACCESSORIES**

- inner lining of tubes and shovel (Tivar88, PE UHMW etc.)
- protection cage
- pivot gimbal to keep the equipment in the vertical axis (second axis on request)

L <sub>min</sub> (retracted length)	L <sub>max</sub> (extracted length)	Travel (H)
5 200	15 200	10 000
6 200	19 200	13 000
6 180	22 190	16 010



Telescopic loading spout type NZO600SL with the distribution shovel for the high-capacity ship loading. Large cargo loading in a short time.

