

EZ FF NF SPN

EZ Change Quick Connection System

DESIGN FEATURES

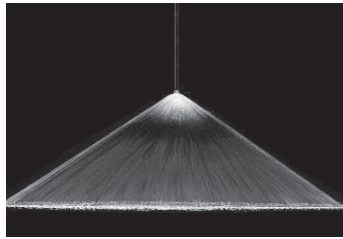
- Nozzles can be changed in seconds without tools
- Three part nozzle, base, gasket and interchangeable tip
- Exclusive ramped engagement for efficient automatic alignment
- Threaded adapters will accommodate other standard BETE nozzles. Shut-off plugs are also available.
- Sanitary EZs are available with weld connection and no knurling

SPRAY CHARACTERISTICS

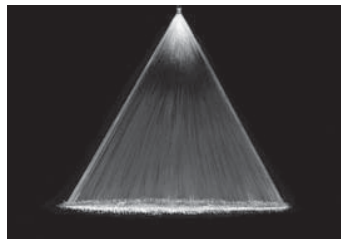
- Available in six standard tips: EZFF; EZNF; EZSPN; EZWL; EZTF, and EZWT
- More EZ tips:**
Full Cone: page 28
Hollow Cone: page 46
- Flow rates:** 0.051 to 125 l/min
- Spray Angle:**
EZFF: 105° and 145°
EZNF: 0°, 15°, 30°, 50°, 65°, 80°, 90°, 110°, 120°
EZSPN: 15°, 25°, 35°, 40° and 50°



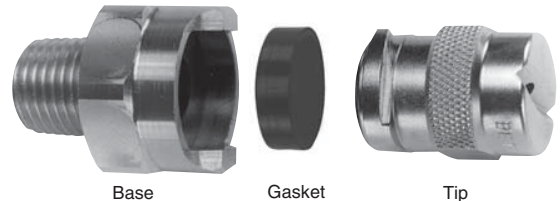
EZNF



145° Fan



50° Fan



Base

Gasket

Tip

EZNF exploded

Dimensions are approximate. Check with BETE for critical dimension applications.

EZFF Flow Rates and Dimensions

Deflected Flat Fan 105° and 145° Spray Angles 1/8" to 1/2" BSP or NPT

| Pipe Size | Nozzle Number | K Factor | LITERS PER MINUTE @ BAR | | | | | | | Approx. Orifice Dia. (mm) | Pipe Size | Approx. Assembly Dim. (mm) Hex Length | Wt. (g) |
|-----------|---------------|----------|-------------------------|---------|---------|-------|-------|-------|-------|---------------------------|-----------|---------------------------------------|---------|
| | | | 0.2 bar | 0.5 bar | 0.7 bar | 1 bar | 2 bar | 3 bar | 5 bar | | | | |
| 1/8" | EZFF016* | 0.114 | 0.051 | 0.081 | 0.095 | 0.114 | 0.161 | 0.197 | 0.255 | 0.406 | 1/8 | 22.4 41.4 | 62 |
| | EZFF024* | 0.228 | 0.102 | 0.161 | 0.191 | 0.228 | 0.322 | 0.395 | 0.510 | 0.610 | | | |
| | EZFF028* | 0.342 | 0.153 | 0.242 | 0.286 | 0.342 | 0.483 | 0.592 | 0.764 | 0.711 | | | |
| | EZFF033* | 0.456 | 0.204 | 0.322 | 0.381 | 0.456 | 0.645 | 0.789 | 1.02 | 0.838 | | | |
| | EZFF041 | 0.684 | 0.306 | 0.483 | 0.572 | 0.684 | 0.967 | 1.18 | 1.53 | 1.04 | | | |
| | EZFF046 | 0.912 | 0.408 | 0.645 | 0.763 | 0.912 | 1.29 | 1.58 | 2.04 | 1.17 | | | |
| | EZFF052 | 1.14 | 0.510 | 0.806 | 0.953 | 1.14 | 1.61 | 1.97 | 2.55 | 1.32 | | | |
| | EZFF057 | 1.37 | 0.611 | 0.967 | 1.14 | 1.37 | 1.93 | 2.37 | 3.06 | 1.45 | | | |
| | EZFF065 | 1.82 | 0.815 | 1.29 | 1.53 | 1.82 | 2.58 | 3.16 | 4.08 | 1.65 | | | |
| | EZFF073 | 2.28 | 1.02 | 1.61 | 1.91 | 2.28 | 3.22 | 3.95 | 5.10 | 1.85 | | | |
| TO | EZFF093 | 3.42 | 1.53 | 2.42 | 2.86 | 3.42 | 4.83 | 5.92 | 7.64 | 2.36 | 1/4" | 22.4 44.5 | 62 |
| | EZFF104 | 4.56 | 2.04 | 3.22 | 3.81 | 4.56 | 6.45 | 7.89 | 10.2 | 2.64 | | | |
| | EZFF116 | 5.47 | 2.45 | 3.87 | 4.58 | 5.47 | 7.73 | 9.47 | 12.2 | 2.95 | | | |
| | EZFF125 | 5.70 | 2.55 | 4.03 | 4.77 | 5.70 | 8.06 | 9.87 | 12.7 | 3.18 | | | |
| | EZFF129 | 6.84 | 3.06 | 4.83 | 5.72 | 6.84 | 9.67 | 11.8 | 15.3 | 3.28 | | | |
| | EZFF141 | 8.20 | 3.67 | 5.80 | 6.86 | 8.20 | 11.6 | 14.2 | 18.3 | 3.58 | | | |
| 1/2" | EZFF148 | 9.12 | 4.08 | 6.45 | 7.63 | 9.12 | 12.9 | 15.8 | 20.4 | 3.76 | 3/8" | 22.4 46.0 | 74 |
| | EZFF156 | 10.0 | 4.48 | 7.09 | 8.39 | 10.0 | 14.2 | 17.4 | 22.4 | 3.96 | | | |
| | EZFF161 | 10.9 | 4.89 | 7.73 | 9.15 | 10.9 | 15.5 | 18.9 | 24.5 | 4.09 | | | |
| | EZFF173 | 12.3 | 5.50 | 8.70 | 10.3 | 12.3 | 17.4 | 21.3 | 27.5 | 4.39 | | | |
| | EZFF187 | 13.7 | 6.11 | 9.67 | 11.4 | 13.7 | 19.3 | 23.7 | 30.6 | 4.75 | | | |
| 1/4" | EZFF196 | 16.0 | 7.13 | 11.3 | 13.3 | 16.0 | 22.6 | 27.6 | 35.7 | 4.98 | 1/2" | 22.4 47.5 | 82 |
| | EZFF218 | 18.2 | 8.15 | 12.9 | 15.3 | 18.2 | 25.8 | 31.6 | 40.8 | 5.31 | | | |
| TO | EZFF221 | 20.5 | 9.17 | 14.5 | 17.2 | 20.5 | 29.0 | 35.5 | 45.9 | 5.61 | | | |
| 1/2" | EZFF250 | 23.9 | 10.7 | 16.9 | 20.0 | 23.9 | 33.8 | 41.4 | 53.5 | 6.35 | | | |
| | EZFF256 | 27.3 | 12.2 | 19.3 | 22.9 | 27.3 | 38.7 | 47.4 | 61.1 | 6.55 | | | |

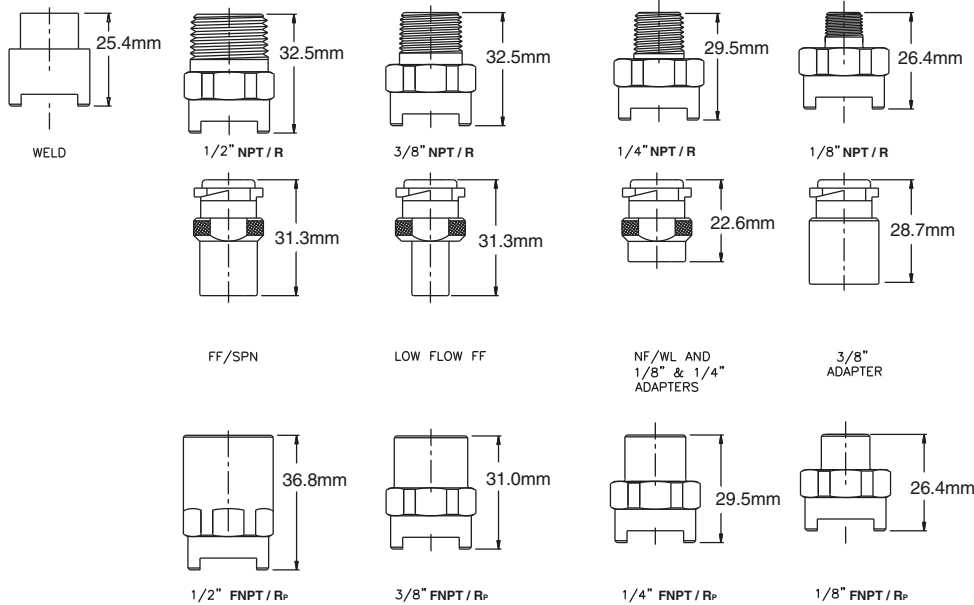
Flow Rate (l/min) = $K \sqrt{\text{bar}}$

*Available in 105° only; all others 145°

Standard Materials: 303 Stainless Steel, 316 Stainless Steel, and Brass; Viton gaskets standard.

Spray angle performance varies with pressure. Contact BETE for specific data on critical applications.

www.BETE.com



Dimensions are approximate. Check with BETE for critical dimension applications.

EZNF Flow Rates and Dimensions

Fan and Straight Jet 0°, 15°, 30°, 50°, 65°, 80°, 90°, 110° and 120° Spray Angles 1/8" to 1/2" BSP or NPT

| Pipe Size | Nozzle Number | K Factor | LITERS PER MINUTE @ BAR | | | | | | | | | | | | | Equivalent Orifice Dia. (mm) | Approx. Assembly Dim. (mm) | | Wt. (g) |
|--------------|---------------|----------|-------------------------|---------|---------|-------|-------|-------|-------|--------|--------|--------|--------|--------|-------|------------------------------|----------------------------|------|---------|
| | | | 0.2 bar | 0.5 bar | 0.7 bar | 1 bar | 2 bar | 3 bar | 5 bar | 10 bar | 15 bar | 20 bar | 30 bar | 35 bar | Hex | | Length | | |
| 1/8" TO 1/2" | EZNF01 | 0.228 | | 0.161 | 0.191 | 0.228 | 0.322 | 0.394 | 0.509 | 0.720 | 0.882 | 1.02 | 1.25 | 1.35 | 0.660 | 1/8" | 22.4 | 41.4 | 62 |
| | EZNF015 | 0.342 | 0.242 | 0.286 | 0.342 | 0.483 | 0.592 | 0.764 | 1.08 | 1.32 | 1.53 | 1.87 | 2.02 | 0.787 | | | | | |
| | EZNF02 | 0.455 | 0.322 | 0.381 | 0.455 | 0.644 | 0.789 | 1.02 | 1.44 | 1.76 | 2.04 | 2.49 | 2.69 | 0.914 | | | | | |
| | EZNF025 | 0.569 | 0.403 | 0.476 | 0.569 | 0.805 | 0.986 | 1.27 | 1.80 | 2.20 | 2.55 | 3.12 | 3.37 | 1.02 | 1/4" | 22.4 | 44.5 | 62 | |
| | EZNF03 | 0.683 | 0.483 | 0.572 | 0.683 | 0.966 | 1.18 | 1.53 | 2.16 | 2.65 | 3.06 | 3.74 | 4.04 | 1.09 | | | | | |
| | EZNF04 | 0.911 | 0.644 | 0.762 | 0.911 | 1.29 | 1.58 | 2.04 | 2.88 | 3.53 | 4.07 | 4.99 | 5.39 | 1.32 | | | | | |
| | EZNF05 | 1.14 | 0.806 | 0.953 | 1.14 | 1.61 | 1.97 | 2.55 | 3.60 | 4.41 | 5.10 | 6.24 | 6.74 | 1.45 | 3/8" | 22.4 | 46.0 | 74 | |
| | EZNF06 | 1.37 | 0.612 | 0.967 | 1.14 | 1.37 | 1.93 | 2.37 | 3.06 | 4.33 | 5.30 | 6.12 | 7.49 | 8.09 | | | | | 1.57 |
| | EZNF08 | 1.82 | 0.812 | 1.28 | 1.52 | 1.82 | 2.57 | 3.15 | 4.06 | 5.74 | 7.03 | 8.12 | 9.95 | 10.7 | | | | | 1.83 |
| | EZNF10 | 2.28 | 1.02 | 1.61 | 1.91 | 2.28 | 3.22 | 3.95 | 5.10 | 7.21 | 8.83 | 10.2 | 12.5 | 13.5 | 2.03 | 1/2" | 22.4 | 47.5 | 82 |
| EZNF15 | 3.42 | 1.53 | 2.42 | 2.86 | 3.42 | 4.83 | 5.92 | 7.64 | 10.8 | 13.2 | 15.3 | 18.7 | 20.2 | 2.38 | | | | | |
| EZNF20 | 4.56 | 2.04 | 3.22 | 3.81 | 4.56 | 6.45 | 7.89 | 10.2 | 14.4 | 17.7 | 20.4 | 25.0 | 27.0 | 2.78 | | | | | |
| EZNF30 | 6.84 | 3.06 | 4.83 | 5.72 | 6.84 | 9.67 | 11.8 | 15.3 | 21.6 | 26.5 | 30.6 | 37.4 | 40.4 | 3.57 | 1/2" | 22.4 | 47.5 | 82 | |
| EZNF40 | 9.12 | 4.08 | 6.45 | 7.63 | 9.12 | 12.9 | 15.8 | 20.4 | 28.8 | 35.3 | 40.8 | 49.9 | 53.9 | 3.97 | | | | | |
| EZNF50 | 11.4 | 5.10 | 8.06 | 9.53 | 11.4 | 16.1 | 19.7 | 25.5 | 36.0 | 44.1 | 51.0 | 62.4 | 67.4 | 4.37 | | | | | |
| EZNF60 | 13.7 | 6.11 | 9.67 | 11.4 | 13.7 | 19.3 | 23.7 | 30.6 | 43.2 | 53.0 | 61.1 | 74.9 | 80.9 | 4.76 | 1/2" | 22.4 | 47.5 | 82 | |
| EZNF70 | 16.0 | 7.13 | 11.3 | 13.3 | 16.0 | 22.6 | 27.6 | 35.7 | 50.4 | 61.8 | 71.3 | 87.4 | 94.4 | 5.16 | | | | | |
| 1/4" TO 1/2" | EZNF80 | 18.2 | 8.15 | 12.9 | 15.3 | 18.2 | 25.8 | 31.6 | 40.8 | 57.7 | 70.6 | 81.5 | 99.9 | 108 | 5.56 | 1/2" | 22.4 | 47.5 | 82 |
| | EZNF90 | 20.5 | 9.17 | 14.5 | 17.2 | 20.5 | 29.0 | 35.5 | 45.9 | 64.9 | 79.4 | 91.7 | 112 | 121 | 5.95 | | | | |

Flow Rate (l/min) = K √bar

Standard Materials: 303 Stainless Steel, 316 Stainless Steel, and Brass; Viton gaskets standard.

EZSPN Flow Rates and Dimensions

Fan 15°, 25°, 35°, 40° and 50° Spray Angles 1/8" to 1/2" BSP or NPT

| Pipe Size | Nozzle Number | Available Spray Angle | | | K Factor | LITERS PER MINUTE @ BAR | | | | | | | | | | | | | Equiv. Orifice Dia (mm) | Deflection Angle @ Spray Angle | | | | Approx. Assembly Dim. (mm) | | Wt. (g) | |
|--------------|---------------|-----------------------|---------|---------|----------|-------------------------|-------|-------|-------|-------|--------|--------|--------|--------|------|------|------|------|-------------------------|--------------------------------|-----|--------|------|----------------------------|------|---------|-----|
| | | 0.3 bar | 0.5 bar | 0.7 bar | | 1 bar | 2 bar | 3 bar | 5 bar | 7 bar | 10 bar | 15 bar | 20 bar | 30 bar | 15° | 25° | 35° | 40° | | 50° | Hex | Length | | | | | |
| 1/8" TO 1/2" | EZSPN10 | 15° | 35° | 50° | 2.28 | 1.25 | 1.61 | 1.91 | 2.28 | 3.22 | 3.95 | 4.56 | 5.10 | 7.21 | 8.83 | 10.2 | 12.5 | 1.98 | 5° | 35° | 55° | 1/8" | 22.4 | 41.4 | 82 | | |
| | EZSPN20 | 15° | 35° | 50° | 4.56 | 2.50 | 3.22 | 3.81 | 4.56 | 6.45 | 7.89 | 9.12 | 10.2 | 14.4 | 17.7 | 20.4 | 25.0 | 2.77 | 5° | 35° | 45° | | | | | | |
| | EZSPN25 | | | 50° | 5.70 | 3.12 | 4.03 | 4.77 | 5.70 | 8.06 | 9.87 | 11.4 | 12.7 | 18.0 | 22.1 | 25.5 | 31.2 | 3.05 | | | 50° | | | | | | |
| 1/2" | EZSPN30 | 15° | 35° | | 6.84 | 3.74 | 4.83 | 5.72 | 6.84 | 9.67 | 11.8 | 13.7 | 15.3 | 21.6 | 26.5 | 30.6 | 37.4 | 3.18 | 5° | 28° | | 1/4" | 22.4 | 44.5 | 82 | | |
| | EZSPN40 | 15° | 25° | 35° | 40° | 50° | 9.12 | 4.99 | 6.45 | 7.63 | 9.12 | 12.9 | 15.8 | 18.2 | 20.4 | 28.8 | 35.3 | 40.8 | 49.9 | 3.96 | 5° | | | | | 20° | 35° |
| 1/4" TO 1/2" | EZSPN50 | | 35° | 40° | 11.4 | 6.24 | 8.06 | 9.53 | 11.4 | 16.1 | 19.7 | 22.8 | 25.5 | 36.0 | 44.1 | 51.0 | 62.4 | 4.34 | 23° | 33° | | 3/8" | 22.4 | 46.0 | 98 | | |
| | EZSPN60 | 15° | 35° | 40° | 50° | 13.7 | 7.49 | 9.67 | 11.4 | 13.7 | 19.3 | 23.7 | 27.3 | 30.6 | 43.2 | 53.0 | 61.1 | 74.9 | 4.75 | 5° | 20° | | | | | 33° | 35° |
| | EZSPN70 | | 40° | | 16.0 | 8.74 | 11.3 | 13.3 | 16.0 | 22.6 | 27.6 | 31.9 | 35.7 | 50.4 | 61.8 | 71.3 | 87.4 | 5.05 | 29° | | | | | | | | |
| 1/4" TO 1/2" | EZSPN80 | 15° | 35° | 40° | 50° | 18.2 | 9.99 | 12.9 | 15.3 | 18.2 | 25.8 | 31.6 | 36.5 | 40.8 | 57.7 | 70.6 | 81.5 | 99.9 | 5.31 | 5° | 25° | 26° | 35° | 1/2" | 22.4 | 47.5 | 109 |
| | EZSPN90 | | 40° | | 20.5 | 11.2 | 14.5 | 17.2 | 20.5 | 29.0 | 35.5 | 41.0 | 45.9 | 64.9 | 79.4 | 91.7 | 112 | 5.54 | | 28° | | | | | | | |
| | EZSPN100 | 15° | 35° | 40° | 50° | 22.8 | 12.5 | 16.1 | 19.1 | 22.8 | 32.2 | 39.5 | 45.6 | 51.0 | 72.1 | 88.3 | 102 | 125 | 5.94 | 5° | 25° | 28° | 40° | | | | |

Flow Rate (l/min) = K √bar

Standard Materials: 303 Stainless Steel, 316 Stainless Steel, and Brass; Viton gaskets standard.

Spray angle performance varies with pressure. Contact BETE for specific data on critical applications.



CALL 413-772-0846
Call for the name of your nearest BETE representative.