

EZ_{TF} WL

EZ Change Quick Connection System

DESIGN FEATURES

- Nozzles can be changed in seconds without tools
- Three part nozzle, base, gasket and interchangeable tip
- Exclusive ramped engagement for efficient, automatic alignment
- Threaded adapters will accommodate other standard BETE nozzles. Shut-off plugs are also available
- Sanitary EZs are available with weld connection and no knurling

SPRAY CHARACTERISTICS

- Available in six standard tips: EZTF; EZWL; EZWT; EZFF; EZNF; EZSPN

More EZ tips:

Hollow Cone: page 46
Flat Fan: pages 66 and 67

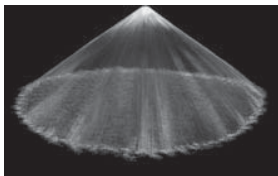
Flow rates: 0.13 to 206 l/min

Spray Angle:

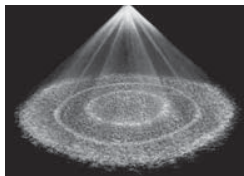
EZTF: 60°, 90°, 120°, 150°, and 170°
EZWL: 30°, 60°, 90°, 120°



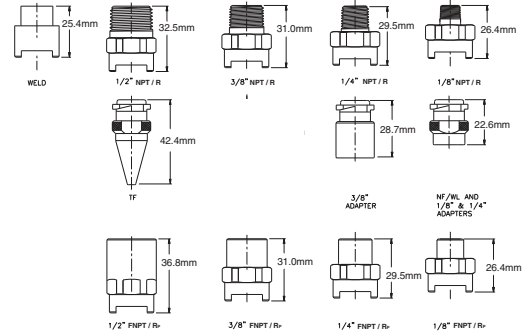
EZTF



120° Full Cone



90° Full Cone Spiral



EZTF Flow Rates and Dimensions

Full Cone Spiral 60° (NN), 90° (FCN), 120° (FC), 150°, or 170° Spray Angle 1/8" to 1/2" BSP or NPT

Pipe Size	Nozzle Number	K Factor	LITERS PER MINUTE @ BAR												Approx. Orifice Dia. (mm)	Approx. Assembly Dim. (mm)		Wt. (g)	
			0.3 bar	0.5 bar	0.7 bar	1 bar	2 bar	3 bar	5 bar	7 bar	10 bar	15 bar	20 bar	30 bar		Hex	Length		
1/8"	EZTF6	3.19	1.75	2.26	2.67	3.19	4.51	5.53	7.13	8.44	10.1	12.4	14.3	17.5	2.38	1/8"	22.4	41.4	62
	TO EZTF8	5.93	3.25	4.19	4.96	5.93	8.38	10.3	13.2	15.7	18.7	22.9	26.5	32.5	3.18				
1/2"	EZTF10	9.12	4.99	6.45	7.63	9.12	12.9	15.8	20.4	24.1	28.8	35.3	40.8	49.9	3.97	1/4"	22.4	44.5	62
	EZTF12	13.7	7.49	9.7	11.4	13.7	19.3	23.7	30.6	36.2	43.2	53.0	61.1	74.9	4.76				
1/4"	EZTF14	18.5	10.1	13.1	15.4	18.5	26.1	32.0	41.3	48.8	58.4	71.5	82.6	101	5.56	3/8"	22.4	46.0	74
	TO EZTF16	24.2	13.2	17.1	20.2	24.2	34.2	41.8	54.0	63.9	76.4	93.6	108	132	6.35				
1/2"	EZTF20	37.6	20.6	26.6	31.5	37.6	53.2	65.1	84.1	99.5	119	146	168	206	7.94	1/2"	22.4	47.5	82

Flow Rate (l/min) = K √ bar

Standard Materials: Brass; Viton gaskets standard. 316 Stainless Steel available upon request.

EZWL Flow Rates and Dimensions

Full Cone Whirl 30°, 60°, 90°, 120° Spray Angle 1/8" to 1/2" BSP or NPT

Pipe Size	Nozzle Number	K Factor	LITERS PER MINUTE @ BAR							Approx. Orifice Dia. (mm)	Pipe Size	Approx. Assembly Dim. (mm)		Wt. (g)					
			0.2 bar	0.5 bar	0.7 bar	1 bar	2 bar	3 bar	5 bar			Hex	Length						
1/8"	EZWL 1/4	0.587	0.276	0.424	0.497	0.587	0.814	0.984	1.25	1.09	1/8"	22.4	41.4	62					
	EZWL 1/2	1.17	0.551	0.848	0.993	1.17	1.63	1.97	2.50	1.40									
	EZWL 3/4	1.76	0.827	1.27	1.49	1.76	2.44	2.95	3.75	1.83									
	EZWL1	2.35	1.10	1.70	1.99	2.35	3.25	3.94	5.01	2.08									
TO	EZWL 1 1/2	3.52	1.65	2.54	2.98	3.52	4.88	5.91	7.51	2.77	1/4"	22.4	44.5	62					
	EZWL2	4.70	2.21	3.39	3.97	4.70	6.51	7.87	10.0	3.18									
1/2"	EZWL3	7.05	3.31	5.09	5.96	7.05	9.76	11.8	15.0	3.96	3/8"	22.4	46.0	74					
	EZWL4	9.40	4.41	6.78	7.95	9.40	13.0	15.7	20.0	4.78									
	EZWL5	11.7	5.51	8.48	9.93	11.7	16.3	19.7	25.0	5.16									
	EZWL6	14.1	6.62	10.2	11.9	14.1	19.5	23.6	30.0	5.56									
																1/2"	22.4	47.5	82

Flow Rate (l/min) = K (bar)^{0.47}

Note: Square pattern also available

Standard Materials: 303 Stainless Steel, 316 Stainless Steel, Brass; Viton gaskets standard.

TO ORDER: specify pipe size, connection type, nozzle number, spray angle, and material.