

D-3000

TANK WASHING MACHINE

Description

The D3000 is the smallest and most versatile of the “Jetstream” family and uses the same tried and tested operational characteristics.

Lubrication by the wash media alone removes the possibility of cargo contamination by gearbox lubricants. There is an option to have a grease lubricated gearbox if required. A “Full Tank - Quick Rinse” facility is built into the machine mechanism.

A combination of nozzle sizes and cycle times allows the Junior to be tailor made to suit particular applications.

The D3000 can be supplied as a fixed, permanently installed unit or as a portable machine.

Machine Features

- Suitable for vessels up to 30,000 DWT
- Type approval by BV
- Wash media lubricated bearings, no risk of cargo contamination
- Supplied as fixed or portable machine
- Materials of manufacture:-
 - Body: 316L St.St
 - Gears: PEEK
 - Bushes: Carbon PTFE



Technical Information

Max height	241 mm
Max width	150 mm
Weight	11 kg
Inlet connection	1.5” BSP/ PN10/40 Flange
Operating temperature range	Up to 100°C
Cycle times	Various times available

Typical Scope of Supply

Fixed machine

- 1x D3000 machine
- 1x Down pipe with deck adapter and valve
- 1x User operation and maintenance manual

Portable machine

- 1x D3000 machine
- 1x Layflat hose
- 1x Hose saddle
- 1x User operation and maintenance manual

D-3000

TANK WASHING MACHINE

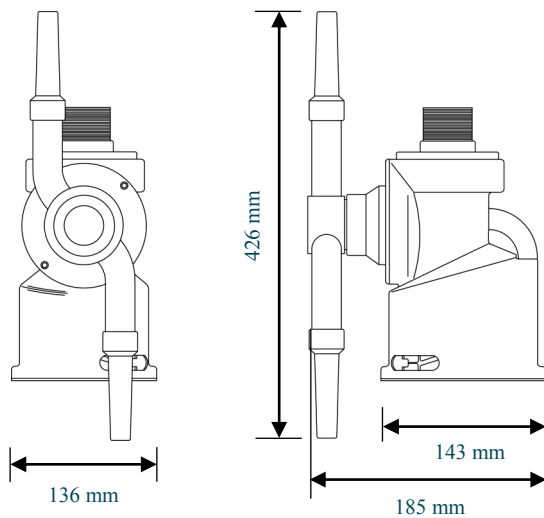
Machine Data

Supply Pressure Kg/cm ²	Jet Length (m) at Nozzle Size (mm)					
	6 mm	7 mm	8 mm	9 mm	10 mm	12.5 mm
6	11.6	12.8	12.9	13.9	14.2	15.5
8	13	14	14.3	15	15.7	16.2
10	14.5	14.9	15.2	15.8	16.5	16.9

Supply Pressure Kg/cm ²	Flow (m ³ /h) at Nozzle Size (mm)					
	6 mm	7 mm	8 mm	9 mm	10 mm	12.5 mm
6	7.8	9.2	12.6	14.5	16.2	26.4
8	9.6	12	15	17	19.2	31.2
10	10.2	13.8	16.2	19	21.9	33.6

Machine Dimensions

Portable Machine



Fixed Machine

