

DT

directional tank washing machine



Description

The Dasic DT is a versatile tank cleaning machine delivering targeted, directional cleaning for maximum efficiency. Originally custom designed to meet the challenge of removing resin scum lines in the Paper & Pulp Industry, the DT can be modelled to meet your most exacting cleaning requirements.

Nozzles angles can be pre-set to wash with multiple jets from 2 to 6 nozzles. Nozzle sizes can be varied on the single head to deliver specific jet lengths to clean different areas of the tank. This is ideal for targeting high impact cleaning jets on areas of dense residue build up such as scum lines, drain points, or tank bottom washing. Shadow studies can be commissioned to ensure existing obstacles of internal structures & pipework are minimized.

The mounting angle of the machine can also be pre-set to ensure maximum coverage where the tank access point is not central. The nozzle head itself can be designed to allow for alternate nozzle combinations to be re-configured / adjusted on-site.

By focusing the clean on the required areas, water consumption & cleaning times are dramatically reduced. This product is designed to order, please contact Dasic with your specific requirements.

| Range | DT100 | DT |
|--------|---------|---------|
| Tank Ø | Bespoke | Bespoke |

Description

- Bespoke configuration of nozzle number & nozzle angles to target scum lines or tough areas of residue & tank bottom washing
- High impact, efficient cleaning process
- Reduced operational & lifetime costs
- On-site nozzle re-configuration option, providing extended use & flexibility
- Reduced water consumption
- Simple, low maintenance design



Typical Scope of Supply

| Materials of manufacture:- | |
|----------------------------|----------------------|
| Body | 316L Stainless Steel |
| Gears | PEEK |
| Bushes | Carbon PTFE |
| Max height | variable |
| Max width | variable |
| Weight | 6.0kg |
| Inlet connection | 1.5" BSP/NPT |
| Operating temperature | up to 95°C |

Typical Scope of Supply

Fixed machine

- 1x Orbitor DT machine
- 1x Down pipe with mounting flange & valve
- 1x User operation & maintenance manual

Portable machine

- 1x Orbitor DT machine
- 1x Layflat hose
- 1x Hose saddle
- 1x User operation & maintenance manual



Innovation that delivers

Case Study

The Challenge

A Swedish manufacturer of Forestry Products was struggling to clean a built up deposit of pine oil. The operational down time for this cleaning was costly, inefficient & also involved the health & safety concerns of employing a man in the tank with a high pressure jet washer. The customer wanted a machine placed so that it had no contact with the aggressive medium yet delivered a targeted clean of the bottom of their 4m x 2m tank.

Phase 1 – Answer

- 1 x DT 2 nozzle high capacity machine
- tank & deposit flushed out in under 2 minutes
- customer now starts the unit remotely from a control room further improving health & safety

Phase 2 - Development

The customer then gave us details of another tank which required off centre cleaning of the base area including specific residue lines. A central feed pipe meant the machine needed to be mounted to one side and tilted. After detailed modelling to calculate the optimum cleaning jet angles, an DT 3 nozzle machine was configured with 3 optional, additional nozzle ports for a denser or varied clean. The result:

- a high standard of clean in minutes
- flexible, alternate wash patterns
- a very satisfied customer

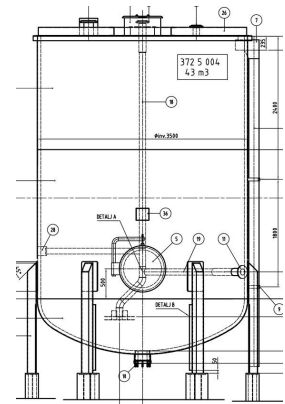
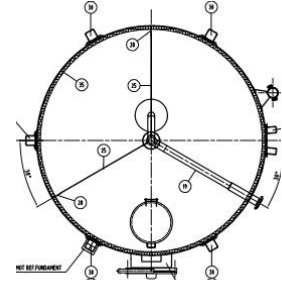
Pine Oil Storage Tank

Requirements:

- custom design
- customized impact points
- optimised spray pattern
- 6 option reconfiguration
- 3D visualisation

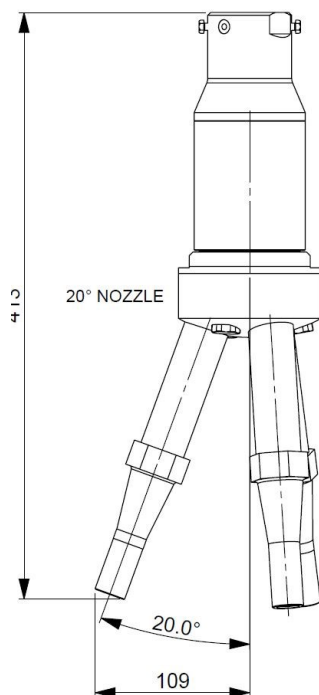
Restrictions:

- internal obstructions
- flow
- pressure
- off centre mounting
- tilted machine
- deadline

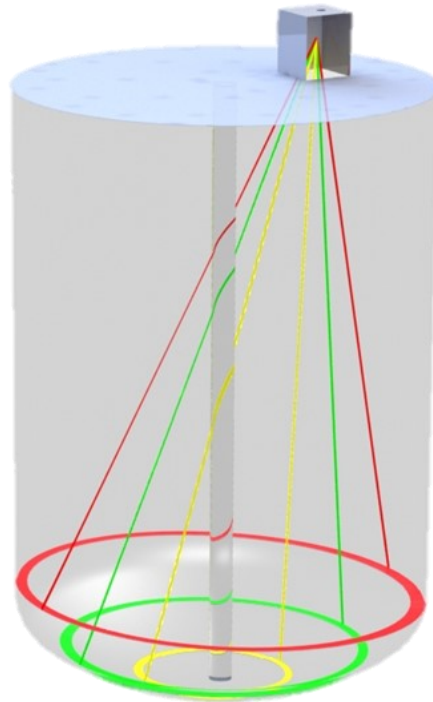


Solution Model

DT



Nozzle angles can be adjusted to suit customer requirements



Dasic Tankclean Ltd, Eagle Close, Eastleigh, Hampshire, S053 4NF, United Kingdom.

Tel: +44 (0) 23 80252264 Fax: +44 (0) 23 80266233